

Note from the editorial board : note on rectangles with vertices on prescribed circles

Autor(en): **Blatter, Christian / Wanner, Gerhard**

Objektyp: **Article**

Zeitschrift: **Elemente der Mathematik**

Band (Jahr): **62 (2007)**

PDF erstellt am: **25.09.2024**

Persistenter Link: <https://doi.org/10.5169/seals-98919>

Nutzungsbedingungen

Die ETH-Bibliothek ist Anbieterin der digitalisierten Zeitschriften. Sie besitzt keine Urheberrechte an den Inhalten der Zeitschriften. Die Rechte liegen in der Regel bei den Herausgebern.

Die auf der Plattform e-periodica veröffentlichten Dokumente stehen für nicht-kommerzielle Zwecke in Lehre und Forschung sowie für die private Nutzung frei zur Verfügung. Einzelne Dateien oder Ausdrucke aus diesem Angebot können zusammen mit diesen Nutzungsbedingungen und den korrekten Herkunftsbezeichnungen weitergegeben werden.

Das Veröffentlichen von Bildern in Print- und Online-Publikationen ist nur mit vorheriger Genehmigung der Rechteinhaber erlaubt. Die systematische Speicherung von Teilen des elektronischen Angebots auf anderen Servern bedarf ebenfalls des schriftlichen Einverständnisses der Rechteinhaber.

Haftungsausschluss

Alle Angaben erfolgen ohne Gewähr für Vollständigkeit oder Richtigkeit. Es wird keine Haftung übernommen für Schäden durch die Verwendung von Informationen aus diesem Online-Angebot oder durch das Fehlen von Informationen. Dies gilt auch für Inhalte Dritter, die über dieses Angebot zugänglich sind.

Note from the Editorial Board

Note on rectangles with vertices on prescribed circles

Christian Blatter and Gerhard Wanner

Inspired by [2], Ionascu and Stanica considered the following problem: The four subsequent vertices of a rectangle R in the plane are at distances r_1, r_2, r_3, r_4 from the origin. Given these data, what can be said about the area A of R ? In a recent paper [1] they proved

Theorem 1. (a) For given $r_i \geq 0$, rectangles R of the described kind exist iff

$$r_1^2 + r_3^2 = r_2^2 + r_4^2. \quad (1)$$

(b) The areas of these rectangles lie between the bounds

$$A_{\min} = |r_2r_4 - r_1r_3|, \quad A_{\max} = r_2r_4 + r_1r_3.$$

The authors call their problem “unusual because of its surprisingly simple answer in spite of our rather laborious solution” (which takes 10 pages). In this note we shall prove Theorem 1 in a simple way, making use of no more than the Pythagorean theorem and the formula for the derivative of a product.

After cyclic reordering, and neglecting special or degenerate cases, we may assume that $0 < r_1 < r_i$ ($2 \leq i \leq 4$). We may also assume that the sides of the rectangle are parallel to the axes and that the point $P_1 = (x, y)$ on the circle of radius r_1 is the lower lefthand vertex of R (Fig. 1). From P_1 we draw a horizontal to the right and obtain the vertex $P_2 = (\bar{x}, y)$ on the circle of radius r_2 ; in a similar way, going from P_1 vertically upwards, we obtain the vertex $P_4 = (x, \bar{y})$ on the circle of radius r_4 . So far we have

$$\begin{aligned} x^2 + y^2 &= r_1^2, \\ \bar{x}^2 + y^2 &= r_2^2, \quad \bar{x} > 0, \\ x^2 + \bar{y}^2 &= r_4^2, \quad \bar{y} > 0. \end{aligned} \quad (2)$$

The upper righthand vertex of R is $P_3 = (\bar{x}, \bar{y})$, and it lies on the circle of radius r_3 iff

$$r_3^2 = \bar{x}^2 + \bar{y}^2 = r_2^2 - y^2 + r_4^2 - x^2 = r_2^2 + r_4^2 - r_1^2,$$

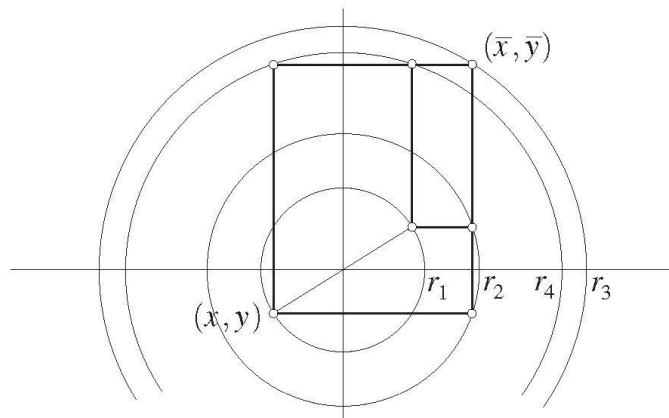


Figure 1

i.e., iff (1) holds. Since the above construction is always possible, part (a) of the theorem follows.

Remark. The midpoint of R bisects both diagonals. It follows that (1) can be seen as an instance of the so-called Pappus-Fagnano-Legendre formula $a^2 + b^2 = (c^2 + z^2)/2$ where $z/2$ is the length of the median through C of a triangle with sides a, b, c .

For our extremal problem we have to consider admissible variations $dx, dy, d\bar{x}, d\bar{y}$ of the quantities x, y, \bar{x}, \bar{y} . To this end we differentiate the equations (2) and obtain

$$x dx + y dy = 0, \quad \bar{x} d\bar{x} + y dy = 0, \quad x dx + \bar{y} d\bar{y} = 0 \quad (3)$$

from which we easily infer

$$d\bar{x} = \frac{x}{\bar{x}} dx, \quad d\bar{y} = \frac{y}{\bar{y}} dy. \quad (4)$$

The area of R is $A = (\bar{x} - x)(\bar{y} - y)$; it is maximal or minimal iff

$$dA = (d\bar{x} - dx)(\bar{y} - y) + (\bar{x} - x)(d\bar{y} - dy) = 0.$$

Using (4) we get

$$dA = \frac{x - \bar{x}}{\bar{x}} (\bar{y} - y) dx + (\bar{x} - x) \frac{y - \bar{y}}{\bar{y}} dy = -\frac{A}{\bar{x}\bar{y}} (\bar{y} dx + \bar{x} dy).$$

So the condition $dA = 0$ reduces to $\bar{y} dx + \bar{x} dy = 0$. Combined with the first equation (3) this shows that in the stationary situation we necessarily have

$$\frac{y}{x} = \frac{\bar{x}}{\bar{y}}. \quad (5)$$

In order to determine the maximal and minimal areas of the rectangle we argue as follows: From (5) and (2) we get

$$\frac{\bar{x}^2}{\bar{y}^2} = \frac{y^2}{x^2} = \frac{r_2^2 - \bar{x}^2}{r_4^2 - \bar{y}^2}, \quad \text{whence} \quad \bar{x}^2(r_4^2 - \bar{y}^2) = \bar{y}^2(r_2^2 - \bar{x}^2),$$

and after cancelling terms we see that

$$\frac{\bar{y}}{\bar{x}} = \frac{r_4}{r_2}, \quad \frac{y}{x} = \frac{r_2}{r_4},$$

the latter using (5) again.

We now know the ratios of these coordinates as well as their Pythagorean sums, whence they must be

$$x = \pm \frac{r_4}{\sqrt{r_2^2 + r_4^2}} r_1, \quad y = \pm \frac{r_2}{\sqrt{r_2^2 + r_4^2}} r_1, \quad \bar{x} = \frac{r_2}{\sqrt{r_2^2 + r_4^2}} r_3, \quad \bar{y} = \frac{r_4}{\sqrt{r_2^2 + r_4^2}} r_3.$$

Inserting these values into the formula for A we obtain, using (1):

$$A = \frac{(r_2 r_3 \mp r_4 r_1)(r_4 r_3 \mp r_2 r_1)}{r_2^2 + r_4^2} = \frac{r_1^2 + r_3^2}{r_2^2 + r_4^2} r_2 r_4 \mp r_1 r_3 = r_2 r_4 \mp r_1 r_3.$$

This leads to

$$A_{\min} = r_2 r_4 - r_1 r_3, \quad A_{\max} = r_2 r_4 + r_1 r_3,$$

as stated. It is easily seen that for the maximum the origin lies in the interior of R whereas for the minimum it is in the exterior.

References

- [1] Ionascu, E.J.; Stanica, P.: Extremal values for the area of rectangles with vertices on concentric circles. *Elem. Math.* 62 (2007), 30–39.
- [2] Zahlreich Problems Group: Problem 11057. *Amer. Math. Monthly* 111 (2004), 64. Solution: *ibid.* 113 (2006), 82.

Christian Blatter
 Albertus-Walder-Weg 16
 CH–8606 Greifensee, Switzerland
 e-mail: christian.blatter@math.ethz.ch

Gerhard Wanner
 Université/Mathématiques
 Case postale 64
 CH–1211 Genève 4, Switzerland
 e-mail: Gerhard.Wanner@math.unige.ch