

Similitude of brittle fracture of structural concrete

Autor(en): **Reinhardt, Hans W.**

Objektyp: **Article**

Zeitschrift: **IABSE reports of the working commissions = Rapports des commissions de travail AIPC = IVBH Berichte der Arbeitskommissionen**

Band (Jahr): **34 (1981)**

PDF erstellt am: **25.09.2024**

Persistenter Link: <https://doi.org/10.5169/seals-26886>

Nutzungsbedingungen

Die ETH-Bibliothek ist Anbieterin der digitalisierten Zeitschriften. Sie besitzt keine Urheberrechte an den Inhalten der Zeitschriften. Die Rechte liegen in der Regel bei den Herausgebern.

Die auf der Plattform e-periodica veröffentlichten Dokumente stehen für nicht-kommerzielle Zwecke in Lehre und Forschung sowie für die private Nutzung frei zur Verfügung. Einzelne Dateien oder Ausdrucke aus diesem Angebot können zusammen mit diesen Nutzungsbedingungen und den korrekten Herkunftsbezeichnungen weitergegeben werden.

Das Veröffentlichen von Bildern in Print- und Online-Publikationen ist nur mit vorheriger Genehmigung der Rechteinhaber erlaubt. Die systematische Speicherung von Teilen des elektronischen Angebots auf anderen Servern bedarf ebenfalls des schriftlichen Einverständnisses der Rechteinhaber.

Haftungsausschluss

Alle Angaben erfolgen ohne Gewähr für Vollständigkeit oder Richtigkeit. Es wird keine Haftung übernommen für Schäden durch die Verwendung von Informationen aus diesem Online-Angebot oder durch das Fehlen von Informationen. Dies gilt auch für Inhalte Dritter, die über dieses Angebot zugänglich sind.



Similitude of Brittle Fracture of Structural Concrete

Similitude de rupture fragile en béton armé

Ahnlichkeit bei sprödem Betonversagen

HANS W. REINHARDT

Prof. Dr.-Ing.

Stevin Laboratory, Delft University of Technology

Delft, The Netherlands

SUMMARY

On three examples of brittle fracture of structural concrete - i.e. bending shear, punching shear, shear in joints between prefabricated floor slabs - it is demonstrated that the absolute size of the member influences the ultimate shear stress. This influence is explained by linear elastic fracture mechanics.

RÉSUMÉ

Par trois exemples de rupture fragile en béton armé - effort tranchant en flexion, poinçonnement de dalles, effort tranchant dans les joints entre éléments de plancher prefabriqués - il est démontré que les dimensions absolues des éléments influencent les tensions de rupture en cisaillement. Cette influence est expliquée par la mécanique de rupture linéaire-élastique.

ZUSAMMENFASSUNG

An drei Beispielen für spröden Bruch von Stahlbetonbauteilen - Biegeschubbruch, Durchstanzen, Schubversagen von Fugen zwischen Fertigteildeckenplatten - wurde gezeigt, dass die absolute Grösse des Bauteils die Bruchschubspannung beeinflusst. Dieser Einfluss wurde mithilfe der linear-elastischen Bruchmechanik erklärt.



1. INTRODUCTION

With the aid of modern computational methods and facilities it is possible to analyse all kinds of structures under almost all loading conditions. Especially those structures do not give problems which exhibit elastic behaviour in the service state and plastic, or more general ductile, behaviour in the limit state. Most of the concrete structures are designed in such a way that they behave as mentioned. There are only a few cases where brittle fracture or almost brittle fracture occurs. But just these cases are the ones which should receive attention, because they can be dangerous if the governing parameters are not well recognized. This is true of structural design and also of analysis if the engineer is not aware of possible influences which may reduce the safety of the structure.

In the following only one aspect will be discussed in relation to three examples of structures, namely, the size effect in connection with shear failure of beams and slabs, punching shear of slabs, and shear transfer across joints between precast hollow core floor slabs. Common practice is that an average shear stress is calculated and compared with a limiting value which is a certain fraction of the tensile strength of concrete. This is done at finite element level, but also for the structure as a whole. Sometimes the size effect is taken into account by an empirical reduction factor. In the following it is tried to show that fracture mechanics concepts could be applied to explain the influence of the absolute size of the structure on the limit load.

2. EXAMPLE OF BRITTLE FRACTURE

Brittle fracture of concrete structures is the exceptional case and is normally avoided by appropriate reinforcement or prestressing. But sometimes, because of economical advantages, reinforcement is ignored and the concrete alone has to be responsible for the loading capacity. The first example of this is a beam or slab without shear reinforcement. Fig. 1 shows the loading system and the crack pattern after failure. The common behaviour of such a beam is that

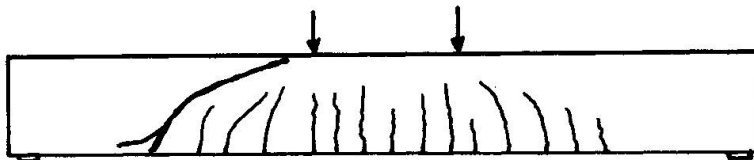


Fig. 1. Loading system and crack pattern of a beam after shear failure

the first cracks occur due to bending. Subsequently the cracks become longer until the extension of one inclined crack leads to failure because of low compressive strength or low tensile strength. Failure is "explosive", without advance announcement by excessive deformation.

A similar example is punching shear of slabs which is shown in Fig. 2. Fracture occurs when a concentrated load which acts on a reinforced concrete slab reaches the loading capacity. After the formation of radial and circular

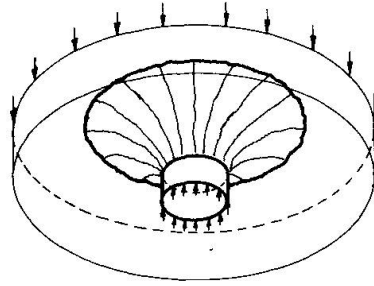


Fig. 2. Punching shear of concrete slab

cracks, sudden fracture occurs without announcement. The difference between bending shear and punching shear lies in the manner of stressing and the accompanying shape of the fractured element, which is a plane in the first case and a cone in the second.

The third example is taken from a precast concrete building in which the floors consist of prestressed hollow core slabs. The slabs are laid side by side and are connected by mortar-filled joints. In most cases a thin topping concrete layer is applied in order to ensure horizontal stiffness and vertical load distribution. Actually, this topping delays the work on the building site and is also an inconvenient feature when the building has to be demolished. Therefore, hollow core slab floors without topping are being investigated in regard to the shear behaviour of the joints under in-plane forces. A typical example of a joint is shown in Fig. 3. Shear stresses in a test specimen are indicated in Fig. 4 exhibiting stress peaks at the ends of the joint. If the joint mortar

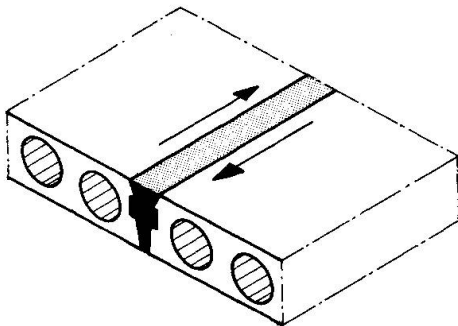


Fig. 3. Hollow core slab with mortar joint

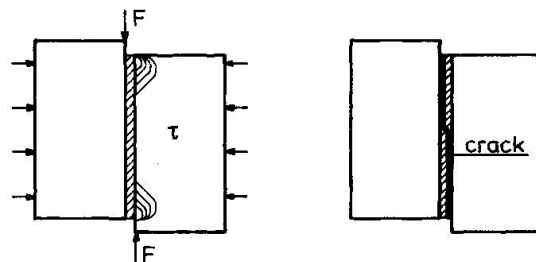


Fig. 4. Shear stresses and crack in the joint

is a brittle material, a crack will start from the end of the joint as soon as the peak stress reaches a certain maximum value and adhesion between mortar and concrete fails. Because this is true for a short joint length and for a large joint length the question arises as to the limiting shearing force F as a function of the joint length. In the case of a plastic material and in the case of a friction mechanism between the slabs, F is linear function of the length, but in the case of a brittle material this is not expected.



3. KNOWLEDGE FROM EXPERIMENTAL INVESTIGATIONS

Much experimental work has been done on bending shear in beams and slabs. The results show a distinct dependence of the ultimate average shear stress on the absolute depth of the beam. Fig. 5 shows the results of various researchers (for details see [1]).

Results of punching shear tests on slabs of various thickness are very scarce, but the few available ones also show a decrease of the punching shear stress with increasing slab thickness, Fig. 6.

In the Stevin Laboratory at Delft research is being carried out on joints between hollow core slabs and also indicates a nonlinear dependence of shear force on the joint length. The results have not yet been fully worked out, however.

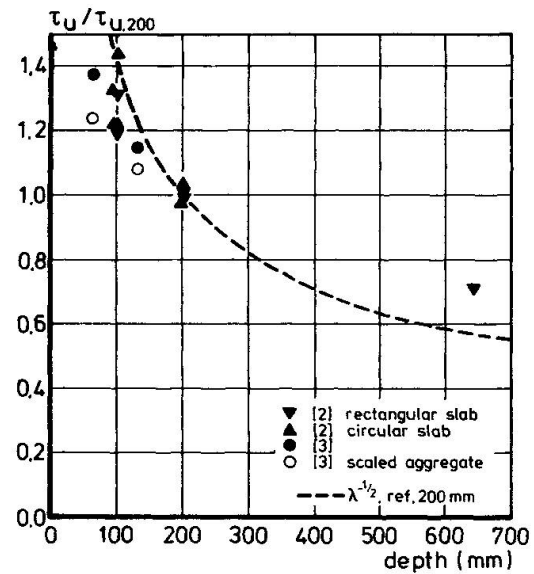
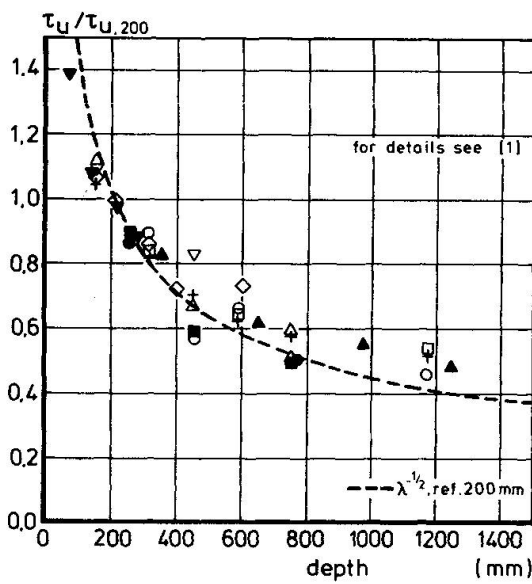


Fig. 5. Relative ultimate shear stress vs. depth of the beam

Fig. 6. Relative punching shear stress vs. slab thickness

A common feature of all the experimental results is a significant influence of the absolute size of the specimens on the ultimate average shear stress. This influence is not explicable with the strength of material concept, for which the absolute dimensions do not matter. Therefore fracture mechanics will be applied, which could show a way out of the difficulty.

4. FRACTURE MECHANICS AND CONCRETE

Linear static fracture mechanics as originated by Griffith [4] considers the surface energy at a crack (energy demand) and the elastic energy release around a crack. The condition for a stable crack is that the energy demand is greater than the energy release.

From this condition the maximum nominal stress in an infinite slab with a central crack of length $2a$ before failure, is

$$\sigma = \sqrt{\frac{2E\gamma}{\pi a}} = \frac{1}{\sqrt{a}} \sqrt{\frac{2E\gamma}{\pi}} \quad (1)$$

For two specimens of the same material the factor $2E\gamma/\pi$ is constant and therefore the maximum nominal stress σ depends on the absolute value of the crack length. The larger the crack, the lower is σ .

Another approach in fracture mechanics is the determination of the stress field around a crack [5].

$$\sigma = \frac{K}{\sqrt{2\pi a}} \cdot f(\dots) \quad (2)$$

where K is the stress intensity factor and f a non-dimensional function which takes the geometry of the specimen or structural member and the loading condition into account. Failure will occur if K is equal to a critical value K_c which is a material constant. Thus, eq. (2) can be rewritten as

$$\sigma = \frac{1}{\sqrt{a}} \cdot \frac{K_c}{\sqrt{2\pi}} \cdot f(\dots) \quad (3)$$

which gives essentially the same result as eq. (1).

Until now, fracture mechanics has been widely used in mechanical, ship and airplane engineering for failure analysis of metal structures. The application of fracture mechanics to concrete is rather limited.

At micro-level it is used for the treatment of the influence of sustained [6] and short-time loading [7] on the strength of concrete, at macro-level for the strength of a beam [8] and the failure criterion of a large dam [9]. All these examples relate to plain concrete.

In general, linear elastic fracture mechanics presumes elastic behaviour until failure, i.e., there is no plastic deformation near the crack tip. Concrete does not exactly satisfy this condition; there are always microcracks around the aggregate particles and also around the tip of the discrete crack. But if this microcracking zone is small compared with the size of the crack, linear elastic fracture mechanics may be applied [10].

Whereas plain concrete always develops brittle failure in a tensile stress field, this is not true of reinforced concrete, where the tensile forces are taken over by the reinforcement and ductile behaviour occurs. Only in cases where the concrete is responsible for the loading capacity does brittle failure occur. This is one condition for the application of fracture mechanics to reinforced concrete. Another is that there is a decisive macrocrack which determines the behaviour of the structure. A third is the same as for plain concrete, namely that the microcracked zone is small compared with the visible crack. These requirements are fulfilled in the three examples given in Chapter 2.



5. SIMILITUDE OF BRITTLE FRACTURE OF REINFORCED CONCRETE

Stress intensity factors of members with discrete reinforcing bars are not available in the literature and no attempt will here be made to establish them. The configuration most closely related to the shearing and punching problems is a beam with an inclined crack treated by Bowie [11]. In regard to the joint between slab units there is a solution by Erdogan [12] and subsequent papers by several authors [13, 14, 15]. All these solutions have the general form as given in eq. (3). This means that the square root of the absolute crack length is inversely proportional to the failure stress. If the crack pattern in two members of different size (scale factor λ) is similar, the failure shear stress is also inversely proportional to the square root of the scale factor λ

$$\tau_u \sim \lambda^{-1/2} \quad (4)$$

The occurrence of similar crack patterns in scaled beams has been recognized [16] and has been observed in current research on joints. So it is not surprising that eq. (4) can yield good results, as illustrated by the dotted line in Fig. 5 and 6. Punching shear (Fig. 6) does not appear to conform so closely, but experimental results are admittedly very scarce. So far as joints are concerned, the experiments have not yet been completed and worked out.

6. FINITE ELEMENT ANALYSIS

Bazant states in the introductory report [17] that the analysis of crack propagation leads to different results for different choices of the finite element mesh if the strength of material approach is used. He gives a possible solution by means of an energy criterion which is applied in each single element. Argyris, Faust and Willam [18] also mention fracture mechanics, but prefer a stress-strain concept (J-integral) than the linear elastic fracture mechanics which actually can predict only the limit state and not the state of stable crack growth.

Gergely and White [19] also emphasize the fracture mechanics approach and show the result of a finite element analysis of a beam on the basis of fracture mechanics. Crack formation and deflection of the beam show close agreement with experimental verification.

It is not completely clear whether in these calculations fracture mechanics have been applied to the single element only or also to the whole structure. As can be concluded from the foregoing chapters, it should be required that also - in the case of brittle failure - the whole structure should be checked by means of fracture mechanics and, as a first step, by linear elastic fracture mechanics. A comparative calculation for similar beams (as in Fig. 1) could show the feasibility of such a finite element analysis.



7. CONCLUSIONS

Advanced mechanics of reinforced concrete implies also fracture mechanics concepts which can be applied at micro-level (finite elements, inhomogeneous structure of concrete) but also at macro-level. To demonstrate the applicability at macro-level, three examples of brittle failure have been considered: bending shear in beams, punching shear in slabs, and in-plane shear in joints between hollow core slabs. Using linear elastic fracture mechanics it was found that

$$\tau_u \sim \lambda^{-1/2}$$

where τ_u is the ultimate average stress and λ the scaling factor between similar structures. This relation was confirmed by experimental results. In the future, stress-intensity factors should be derived for reinforced structures which allow a quantitative analysis, not merely a comparative one.

It should be emphasized that fracture mechanics can only be applied to reinforced concrete in the case of brittle fracture. Normally those cases are avoided by appropriate reinforcing, but if they can occur, fracture mechanics should be used.

If brittle failure of concrete is analysed by means of finite element programs, fracture mechanics should be applied not only within single elements but also to the whole structure or a major part of it.



8. NOTATION

a	half crack length
d	effective depth
E	Young's modulus
F	force
K	stress-intensity factor
V	shear force
γ	surface energy
λ	scale factor
σ	normal stress
τ	shear stress (nominal, computed acc. to CEB-FIP)

subscripts:

c	critical
U	ultimate



9. REFERENCES

- [1] REINHARDT, H.W. Massstabseinfluss bei Schubversuchen im Licht der Bruchmechanik. *Beton & Stahlbetonbau* 76(1981) no. 1, pp. 19-21.
- [2] KINNUNEN, S., NYLANDER, H., TOLF, P. Punching tests at the Institution for Building Statics, KTH Stockholm. *Nordisk Betong* (1978), no. 3, pp. 25-27.
- [3] REGAN, P.E., WALKER, P.R., ZAKARIA, K.A.A. Tests of reinforced concrete flat slabs. Polytechnic of Central London, May 1978.
- [4] GRIFFITH, A.A. The phenomena of rupture and flow in solids. *Phil. Trans. Roy. Soc. (London), Series A*, 221(1920), p. 163-198.
- [5] IRWIN, G.R. Fracture dynamics. In *Fracturing of Metals - Am. Soc. Metals*, Cleveland (1948), pp. 147-166.
- [6] WITTMANN, F.H., ZAITSEV, J. Verformung und Bruchvorgang poröser Baustoffe bei kurzzeitiger Belastung und Dauerlast. *DAfStb*, Heft 232, Berlin 1974.
- [7] MIHASHI, H., IZUMI, M. A stochastic theory for concrete fracture. *Cement and concrete research* 7(1977), pp. 411-422.
- [8] ZIEGELDORF, S., MÜLLER, H.S., HILSDORF, H.K. A model law for the notch sensitivity of brittle materials. *Cement and concrete research* 10(1980) pp. 589-599.
- [9] KRAPHOV, L.P. et al. The application of fracture mechanics to the investigation of cracking in massive concrete construction elements of dams. In *Fracture 1977*, Vol. 3, ICF4, Waterloo, Canada, June 19-24, 1977.
- [10] HILSDORF, H.K. Sinn und Grenzen der Anwendbarkeit der Bruchmechanik in der Betontechnologie. In *Forschungsbeiträge für die Baupraxis*, Verlag von Wilh. Ernst & Sohn, Berlin, München, Düsseldorf, 1979.
- [11] BOWIE, O.L. Solutions of plane crack problems by mapping technique. In *Mechanics of fracture*, Vol. I, ed. by G.C. Sih, Noordhoff Intern. Publ., Leiden 1973.
- [12] ERDOGAN, F. Stress distribution in a nonhomogeneous elastic plane with cracks. *J. Appl. Mech.* 30(1963), No. 2, pp. 232-236.
- [13] MULVILLE, D.R., HUNSTON, D.L., MAST, P.W. Developing failure criteria for adhesive joints under complex loading. *J. Eng. Materials and Technology* 100(1978), pp. 25-31.
- [14] MALYSHEV, G.M., SALGANIK, R.L. The strength of adhesive joints using the theory of cracks. *Intern. J. Fracture Mechanics* 1(1965), No. 2, pp. 114-128.
- [15] ERDOGAN, F., GUPKA, G. The stress analysis of multilayered composites with a flaw. *Intern. J. Solids and Structures* 7(1971), No. 6, pp. 56-61.



- [16] WALRAVEN, J.C. The influence of depth on the shear strength of lightweight concrete beams without shear reinforcement. Stevin report 5-78-4, Delft University of Technology, Delft 1978.
- [17] BAZANT, Z.P. Advances in deformation and failure models for concrete. Introductory report, IABSE Colloquium Delft 1981, pp. 9-84.
- [18] ARGYRIS, J.H., FAUST, G., WILLAM, K.J. Finite element modelling of reinforced concrete structures. Introductory report, IABSE Colloquium Delft, 1981, pp. 85-106.
- [19] GERGELY, P., WHITE, R.N. Applications and experimental verification. Introductory report, IABSE Colloquium Delft 1981, pp. 109-133.