

IVa: Shear strength (including influence of stirrups on bond, anchorage and shear; influence of shrinkage and temperature

Objektyp: **Group**

Zeitschrift: **IABSE congress report = Rapport du congrès AIPC = IVBH
Kongressbericht**

Band (Jahr): **7 (1964)**

PDF erstellt am: **26.09.2024**

Nutzungsbedingungen

Die ETH-Bibliothek ist Anbieterin der digitalisierten Zeitschriften. Sie besitzt keine Urheberrechte an den Inhalten der Zeitschriften. Die Rechte liegen in der Regel bei den Herausgebern.

Die auf der Plattform e-periodica veröffentlichten Dokumente stehen für nicht-kommerzielle Zwecke in Lehre und Forschung sowie für die private Nutzung frei zur Verfügung. Einzelne Dateien oder Ausdrucke aus diesem Angebot können zusammen mit diesen Nutzungsbedingungen und den korrekten Herkunftsbezeichnungen weitergegeben werden.

Das Veröffentlichen von Bildern in Print- und Online-Publikationen ist nur mit vorheriger Genehmigung der Rechteinhaber erlaubt. Die systematische Speicherung von Teilen des elektronischen Angebots auf anderen Servern bedarf ebenfalls des schriftlichen Einverständnisses der Rechteinhaber.

Haftungsausschluss

Alle Angaben erfolgen ohne Gewähr für Vollständigkeit oder Richtigkeit. Es wird keine Haftung übernommen für Schäden durch die Verwendung von Informationen aus diesem Online-Angebot oder durch das Fehlen von Informationen. Dies gilt auch für Inhalte Dritter, die über dieses Angebot zugänglich sind.

IVa1

On the Reduction of Shear Reinforcement as Derived From the Stuttgart Shear Tests 1961—1963

*Sur une réduction de l'armature de cisaillement basée sur les essais de Stuttgart
(1961—1963)*

*Über die Verringerung der Schubbewehrung auf Grund der Stuttgarter
Schubversuche von 1961—1963*

FRITZ LEONHARDT

o. Professor, Technical University of Stuttgart

Notation

t	total depth of section.
d	distance from extreme compression fiber to centroid of tension reinforcement.
z	distance from T to C , leverarm of internal forces.
b'	width of web.
b	width of compression flange.
s	spacing of stirrups or bent up bars in a direction parallel to the longitudinal reinforcement.
h	amount of horizontal movement of the M/z -line to get the T -line.
l	span length.
a	distance of single loads from support.
M	bending moment.
C	internal compression force in compression chord of "truss" due to bending.
C_s	compression force of the inclined struts of the "truss".
T_x	tension force of the longitudinal reinforcement (tension chord of "truss") due to bending.
T_y	tension force of stirrups
P	load on test beam.
P_p	prestressing force.
V	total shear force.
V_i	shear force carried by the compression members of the truss.
V'	shear force carried by the web reinforcement.
$v = \frac{V}{b'z}$	shear stress.
$v_i = \frac{V_i}{b'z}$	

f_v	tensile stress in web reinforcement.
f'_c	compressive cylinder strength.
f_p	compressive stress in p. c. due to prestressing force after all losses at centroid of cross section.
f_y	yield strength of reinforcement.
t_1, t_2	principal stresses according to bending theory of beams.
A_v	area of web reinforcement within the length s of the beam.
A_c	gross area of section.
α	angle between web reinforcing bars and longitudinal axis of beam.
β	angle between compression strut and longitudinal axis of beam in truss analogy.
$r = \frac{A_v}{b's}$	
η	factor of shear coverage, related to shear reinforcement according to MÖRSCH's analysis.
κ	second reduction factor for shear coverage for short beams or loads close to support.

1. Introduction

The Stuttgart shear tests, which have been published in seven reports [1], [2], [3], [4], [5], [6] and [7] have brought considerable new knowledge due to the fact, that the many parameters, which have influence on the ultimate shear load, have been studied each separately. It has been found e. g. that the most unfavourable shear condition is given by one or two concentrated loads per span with a moment shear ratio of $\frac{M}{Vd} = 2.4$ to 3.5. All other load patterns can be considerably more favourable. The following paper deals only with this unfavourable loading, short beams or loads near the support with $\frac{M}{Vd} < 2.4$ are treated separately.

It must also be mentioned that all the Stuttgart tests have been made with high tensile steel as reinforcement with a yield point of $f_y = 60\,000$ psi with deformed bars.

2. The Variability of the Mechanism in the Cracked State

The classical shear analysis of W. RITTER and E. MÖRSCH explain the shear strength in the cracked state with the truss analogy, using a truss with parallel chords, compression struts at an angle of 45° and vertical or with -45° inclined tension bars (fig. 1). It is assumed that the shear force V will be fully carried by the web members, which leads to the following percentage of shear reinforcement in the web for the length s

$$r = \frac{v}{f_v} = \frac{V}{b'z \sin \gamma f_v} \quad \text{with } r = \frac{A_v}{b's}$$

This amount of shear reinforcement may be called full shear coverage, a reduced amount will be defined by the reduction factor $\eta < 1$, referring to this full coverage.

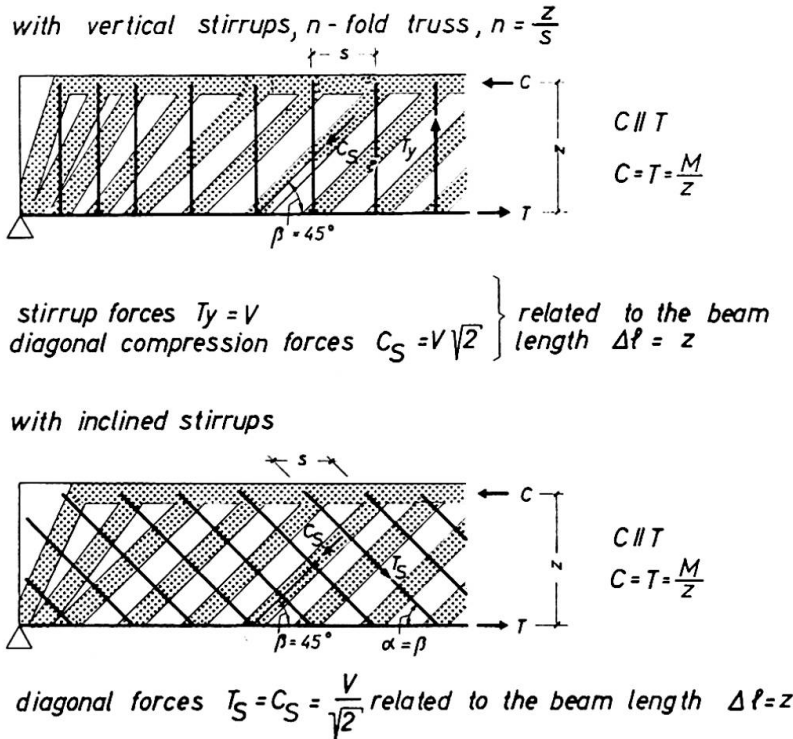


Fig. 1. Assumptions of classical truss analogy according to E. MÖRSCH.

With this classical truss analogy, the equilibrium conditions for the inner forces are fulfilled, but not the compatibility conditions, which are badly hurt, because the compression members of concrete are 3 to 20 times stiffer than the tension members of thin steel bars. Nature does not know this truss analogy and acts according to the law of the minimum of deformation work and, therefore, the inner forces in reinforced concrete beams change considerably as soon as cracks appear, strongly depending upon the stiffness ratio between the concrete and the steel members. A beam with a thick web will show considerably different internal forces compared with a beam of equal chord members, but with a thinner web. Even the crack pattern changes with this stiffness ratio and has influence on the mechanism. We shall try to explain these mechanisms by our test results, using again trusses as an analogy.

2.1. Mechanism for Slabs and Beams with Thick Webs (fig. 2)

In beams or slabs with rectangular cross-section we have the mechanism of a tied arch and the shear forces are carried totally by the inclined upper chord (arch or strut). The tie force decreases towards the support by the unreliable bending resistance of the concrete teeth between the cracks, as shown by G. KANI in [17], unreliable, because this resistance decreases to

almost zero, when the ratio between crack spacing and crack depth becomes small in beams with $t > 15''$. For ultimate load, this decrease of the tie force can become small, therefore, the tie should continue to the supports with full area and be well anchored.

As soon as cut-off bars are used in rectangular cross-sections with their

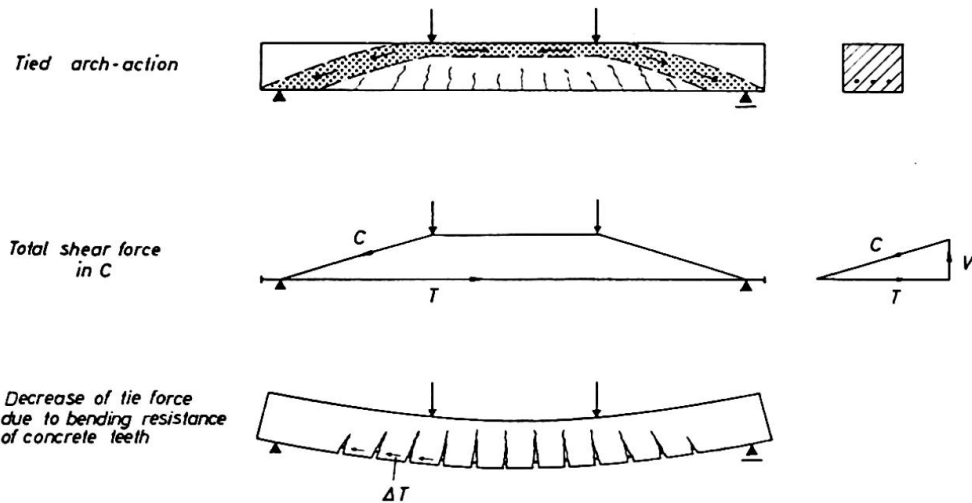


Fig. 2. Tied arch action in beams with thick webs.

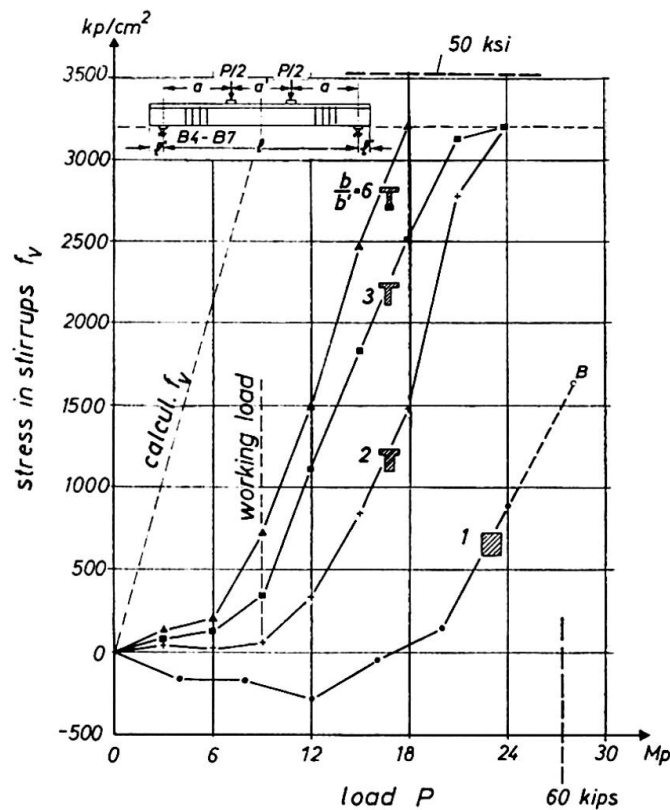


Fig. 3. Average stresses in stirrups, measured in beams with the one variable $b/b' =$ width of compression zone to width of web, with equal and constant shear reinforcement ($\eta = 0,38$) compared to stresses calculated according to MÖRSCH.

length determined by the moment diagram, then the shear strength will be reduced considerably [6].

A shear reinforcement in such cross-sections does not change this mechanism under working load, stirrups remain without tension up to very high load intensities and they begin to carry only after shear cracks enter the inclined compression chord C . The test results as shown in fig. 3 prove, that the stresses in stirrups are strongly influenced by the thickness of the web and in beams with rectangular cross-section they remain very small or are even negative (compression) up to $0,7 P_u$ (ultimate load).

2.2. The Change of the Mechanism by the Reduction of the Web-thickness

If in T-beams, the compression and tension chords are kept equal and only the thickness of the web is reduced, then the tensile stresses of the equal stirrups grow almost proportional to the ratio b/b' (fig. 3). The measured tension forces in stirrups, however, remain far below those calculated with MÖRSCH'S truss analogy even for webs as thin as 2'' with $b'/b = 1/6$. This means that even in beams with very thin webs, a part of the shear force must be carried by the chords and not by the web members. In fact, we have measured tensile stresses on top of the compression flange near the supports. Therefore, even in T-beams the resultant compression force C , which can be considered as the top chord of an imagined truss, must be inclined. Fig. 4 shows that a slope of 1/12 to 1/20 between the load and the upper end of the last shear crack is easily possible and has been observed. This slope means that 25% to

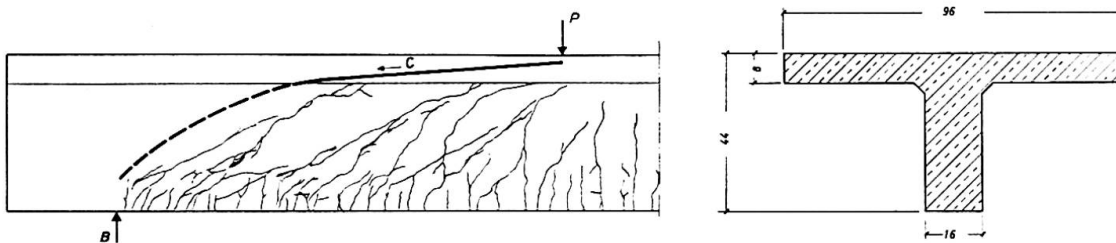


Fig. 4. In T-beams, the resultant force C in the compression chord can be inclined by 1 : 12 to 1 : 20 in spite of shear cracks covering the whole depth of the web.

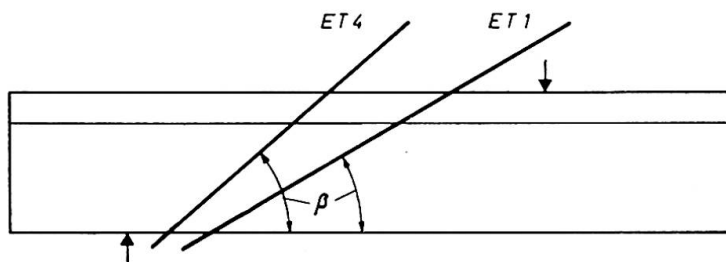


Fig. 5. Crack pattern of rectangular beam ET 1 with $b/b' = 1$ compared with pattern of T-beam ET 4 with $b/b' = 3$. Both beams have equal longitudinal and shear reinforcement. Average angles β of shear cracks differ considerably.

Nr.	truss - system	tension forces	
		in the web T_y related to z	in the chord T_x near the support
1		0	3,0V
2		0,60 V	1,5 V
3		1,0V	1,0V
4		T_{45° $\frac{1}{2} \sqrt{2} V$ $\approx 0,71 V$	0,5V
5		0,67 V	1,5 V
6		0,57 V	1,73 V

Fig. 6. The influence of an inclination of the top chord or of the angle $\beta \leq 45^\circ$ of the compression struts in simple trusses on the vertical tension force T_y and on the tie force T_x near the support.

15% of V is carried by the compression chord in a beam with a shear span of 3. In the bottom chord (longitudinal reinforcement), a small part of V might be carried by the dowel effect of the reinforcing bars; however, this effect is surely over-estimated in [15], as soon as stirrups are used.

Further, we have observed that the inclination of the shear cracks is not simply 45° , but varies considerably with the stiffness ratio expressed by b'/b and can be as low as 30° (beam ET 1 in [2]) (fig. 5). This means that the diagonal struts of our imagined truss are less inclined and, therefore, a smaller quantity of vertical tension bars, the stirrups, will be sufficient for the equilibrium. Simultaneously, the tension force in the bottom chord near the support will be larger than in a truss with 45° struts. Fig. 6 explains by simple truss analysis, how the vertical tension forces T_y and the chord tension T_x are influenced, when the inclination of the top chord varies from 1 : 3 to zero

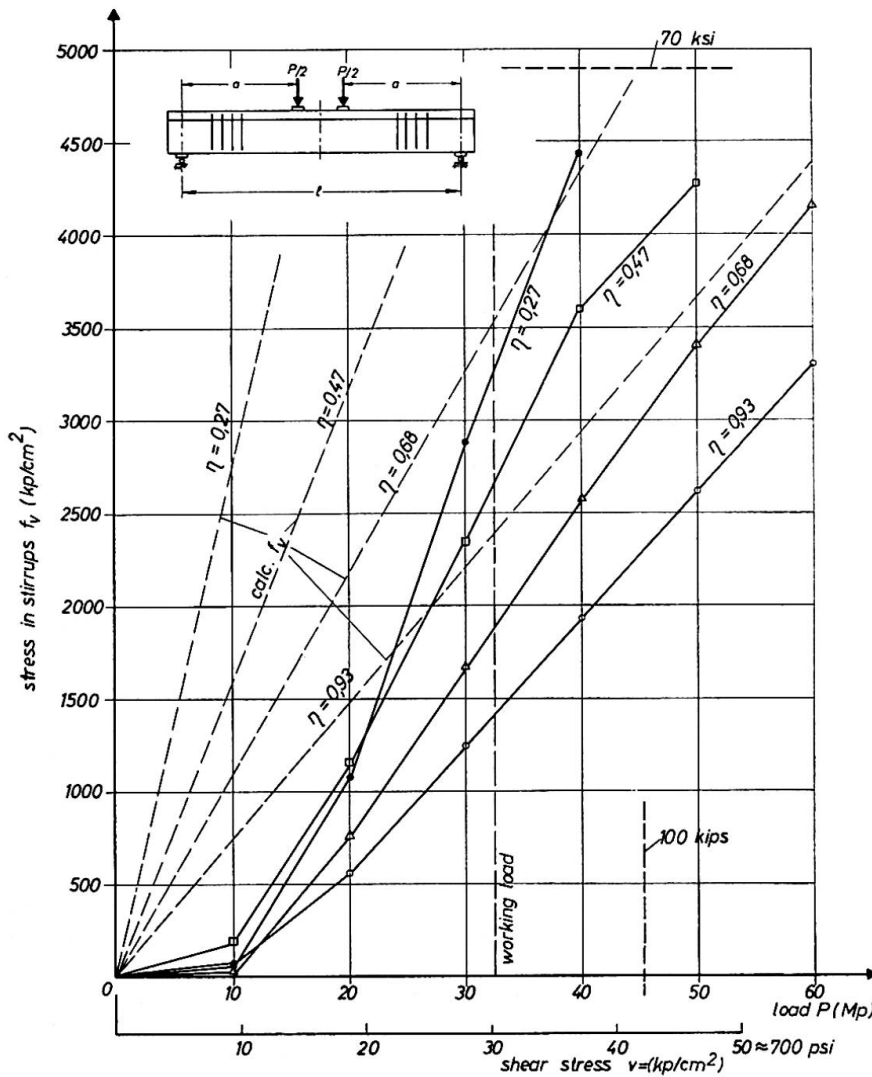


Fig. 7. Average stresses in stirrups, measured in beams with constant $b/b' = 6$ and A_s , variable only the percentage of shear coverage η , compared with calculated stresses according to MÖRSCH.

or the angle β of the diagonal struts varies from 45° to 30° . T_{\parallel} can be between zero and V , related to the beam length $\Delta l = z$.

The inclination of the shear cracks can also be influenced to a smaller extent by the percentage of shear coverage, expressed by η . We have found that for equal $b'/b = 1/6$, the angle β of shear cracks can vary between 37° for $\eta = 0.25$ and 44° for $\eta = 1.0$, the average variation however is small.

On the other side, η has no influence on the cracking load or on the distance between lines of calculated and actual steel stresses in stirrups as shown in fig. 7 for T beams with constant b'/b , only η variable.

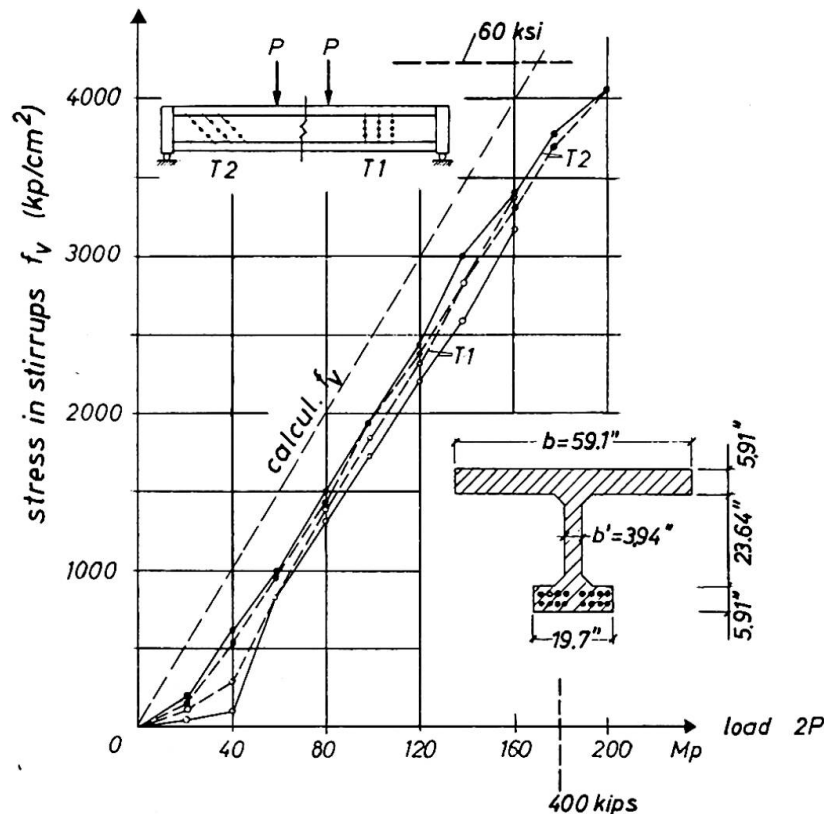


Fig. 8. Measured and calculated stresses in stirrups of beams with extremely thin webs ($b/b' = 15$), shear stresses v reaching 2500 psi. Beam T 1 had vertical stirrups, T 2 inclined stirrups.

Even in large beams with extremely thin webs and a ratio of $b'/b = 1/15$, as we have tested in our beams T 1 and T 2 [1] [5], where the angle of the cracks was about 45° , the forces in the stirrups do not reach the values of MÖRSCH's truss analogy, fig. 8. This means that even for highest shear stresses and in I-beams, a part of the shear force is carried by a slight inclination of the resultant compression force in the top chord and by "frame action" between the web-members and the chords.

Fig. 9 shows, how the portion of the shear force, which is carried by stirrups, is varying with increasing load for different ratios b'/b and two grades of shear coverage. These lines show, that the load intensity has considerable influence

on the mechanism, the web-members increase their portion of the shear with increasing load intensity and only ultimate load conditions tell the safety and give the design criteria.

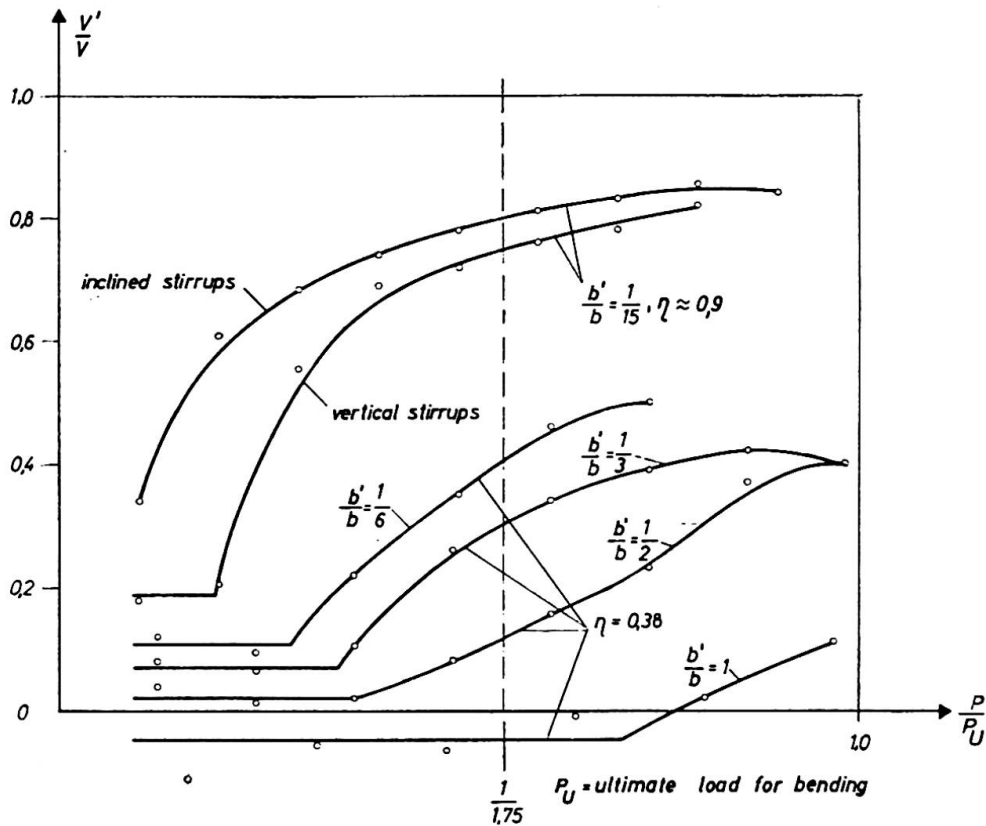


Fig. 9. Portion of shear force V' carried by web-reinforcement for different widths of webs expressed by b'/b and for different shear coverage η plotted against load intensity P/P_u .

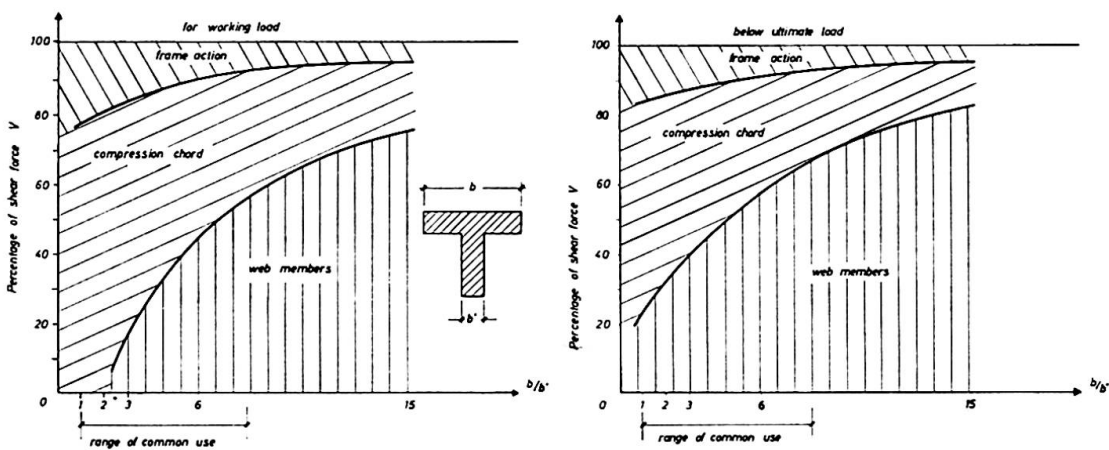


Fig. 10. Distribution of the shear force V

1. on web members = stirrups and struts,
2. on compression chord carrying V_c by inclination,
3. on frame action due to stiffness of junction between web- and chord members depending on b/b' for working load and shortly below ultimate load.

In fig. 10, the influence of the ratio between web stiffness and chord stiffness expressed by b'/b on the mechanism is shown in a different way; the lines give the distribution of the shear force on the web-members, the compression chord and on the "frame action" due to fixed connection between struts and chords. In the normal T beams with b/b' between 3 and 6, the web members carry less than half of the total shear force even under ultimate load conditions.

The result is, that the mechanism changes with decreasing web thickness and increasing load intensity from the tied arch to a truss with a curved or inclined top chord and with diagonal struts, of which the inclination varies between 30° and 45° .

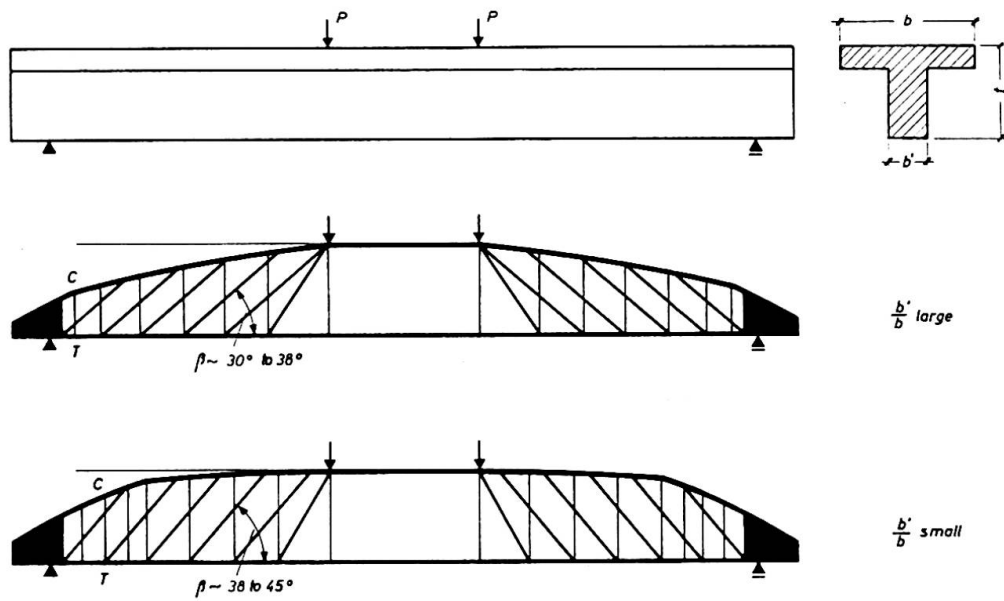


Fig. 11. The actual mechanism of internal forces can be compared with such trusses with inclined compression chords and diagonal web struts with angles $\beta \leq 45^\circ$, the angles of chord and struts mainly depending on b/b' (extended truss analogy).

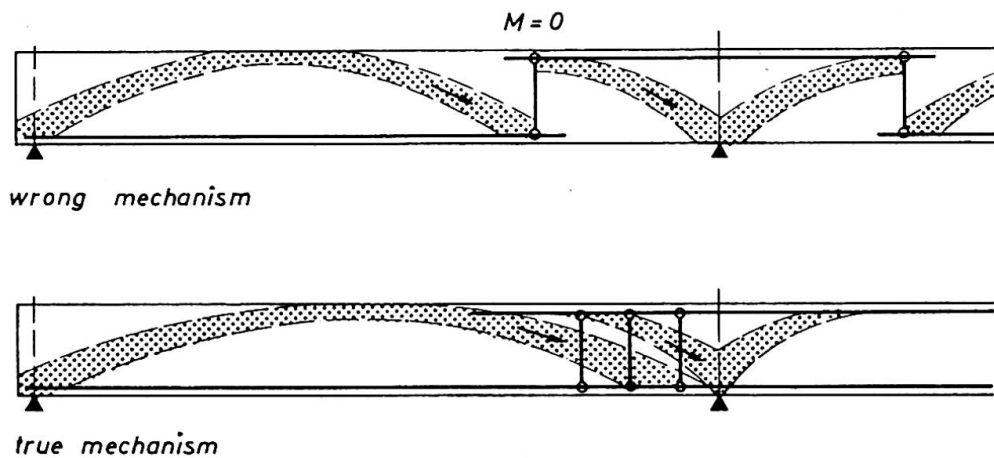


Fig. 12. Common idea of the mechanism of continuous beams compared with the findings by tests for rectangular cross sections.

This means, that the trusses which we must have in mind in order to understand the shear problem, must have variables as shown in fig. 11.

2.3. Mechanism of Continuous Beams

The system of internal forces in continuous beams is generally assumed to have a simple beam between the points of inflection ($M = 0$) suspended from a cantilever beam (fig. 12). The Stuttgart tests and US-tests [8] [9] showed, that for rectangular cross-sections or T-beams with thick webs, the inclined compression chord extends directly to the support so that the bottom tie reinforcement must also here be extended partially till to this support. Correspondingly, there are very flat shear cracks near the inner support with

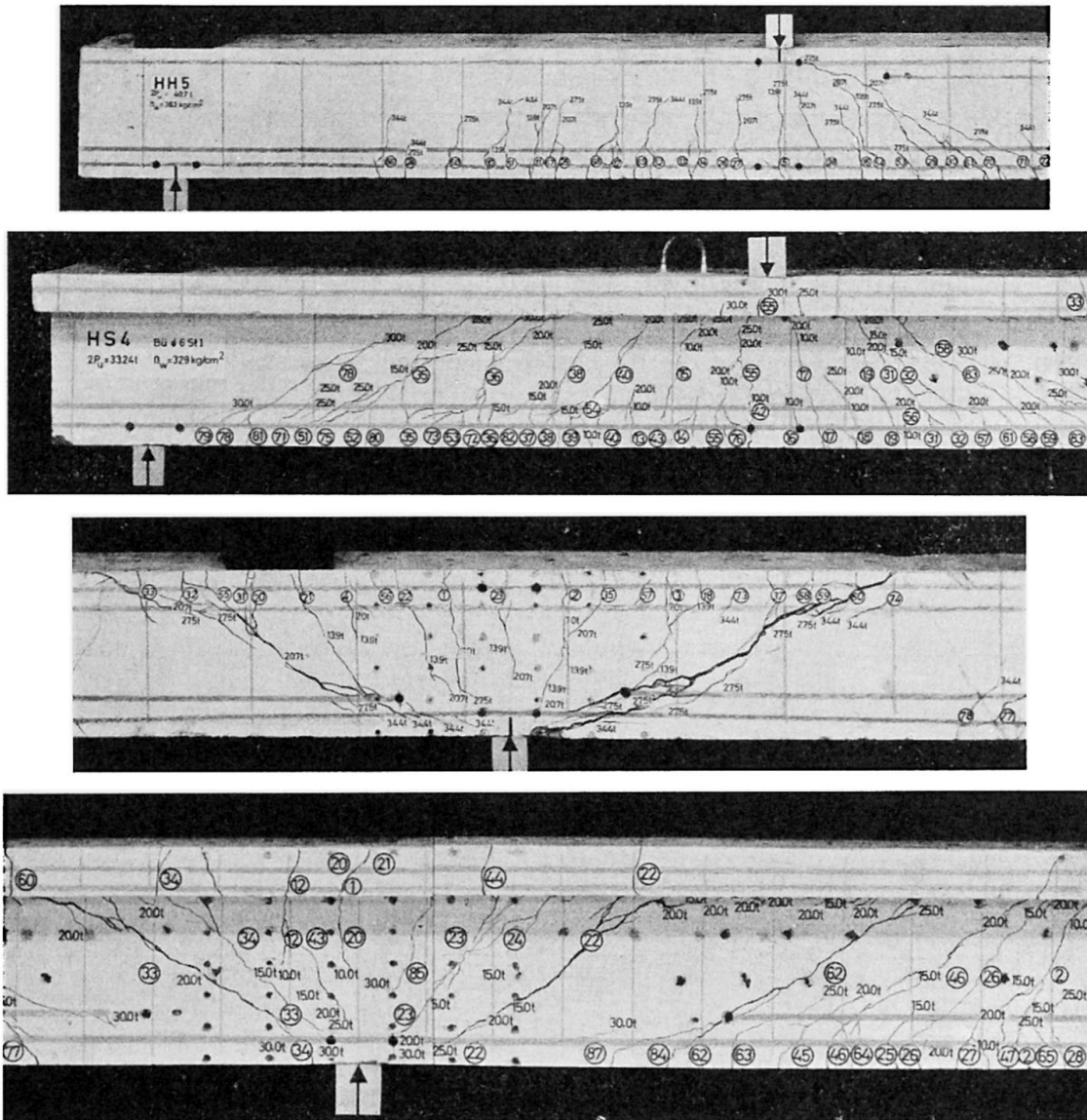


Fig. 13. Small inclination of shear cracks of continuous beams near inner support, if $b/b' \leq 3$.

angles as low as 30° (fig. 13). As a consequence, stirrups are more necessary near the support than in the region of the small moments, where we have no cracks up to high load intensities, so that stirrups in this region did show only small stresses.

Also in continuous beams, the mechanism changes with the stiffness ratio b'/b in a similar way as we have shown for single span beams. In beams with thin webs, there is truss action under high loads with a smaller influence of the inclination of the chords but a larger influence of the angle β of the struts near inner supports. The ratio of V'/V is larger there than near outer supports.

3. Calculation of the Reduction of Shear Reinforcement

3.1. Slender Beams and Slabs

The described mechanisms make it clear that a full shear coverage according to MÖRSCH's theory is not necessary, because the tensile forces in the web are considerably smaller and their magnitude depends primarily upon the stiffness ratio b'/b . The sound design principle for reinforced concrete, to carry all tensile forces by steel, can, therefore, be fulfilled by a reduced shear coverage $\eta < 1$ corresponding to the requirements of the ACI Code 318-63.

The measured stresses in stirrups showed in all tests a characteristic pattern as drawn in fig. 14. The line of the stresses in the stirrups as a function of the load runs almost parallel to the one calculated with MÖRSCH's truss analogy, however, in a horizontal distance equal to the load P_{crack} . This load P_{crack} is the one under which a shear crack has reached the stirrup. We have defined P_{crack} as the load which is found by continuing the measured line straightly towards the abscissis. To this load corresponds to a shear stress v_i , which we

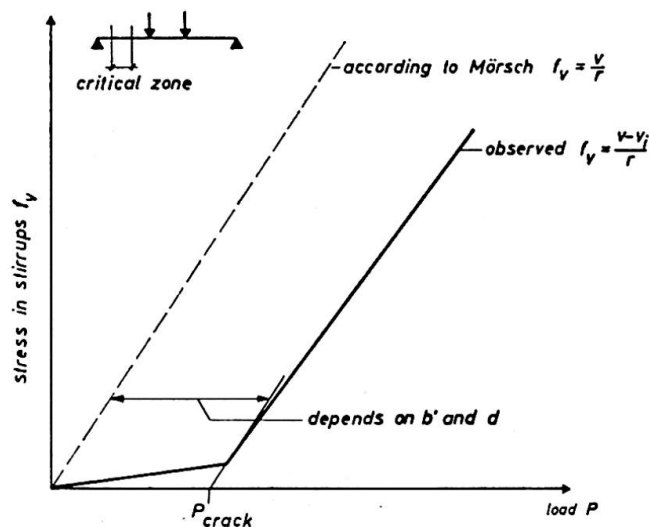


Fig. 14. Characteristic line of stresses in web reinforcement, compared with classical analysis of MÖRSCH.

found to be different from v_c as found for beams without shear reinforcement. The US results give $v_c = f(\sqrt{f'_c})$ influenced by the tensile strength of the concrete. The value v_i , however, is influenced by the portion of $V_i = P_{crack}$ which represents the portion of V which is carried by the compression members of the truss and, therefore, shows a straight line function with the compressive strength f'_c (fig. 15). We have found this value to be different for single and continuous beams:

$$\begin{aligned} \text{for single span beams } v_i &= \frac{1}{16} f'_c, \\ \text{for continuous beams } v_i &= \frac{1}{22} f'_c. \end{aligned} \tag{1}$$

P_{crack} increases with increasing b' and z , because the corresponding shear force is $V_i = v_i b' z$. The thicker the web, the larger the distance between the actual stress line of the stirrups and the calculated one according to MÖRSCH. This is caused by the inclination of the compression chord and the angles $\beta < 45^\circ$ for the diagonal struts. From the characteristic line of fig. 14 we derive the formula for the stresses of the stirrups

$$f_v = \frac{v - v_i}{r}. \tag{2}$$

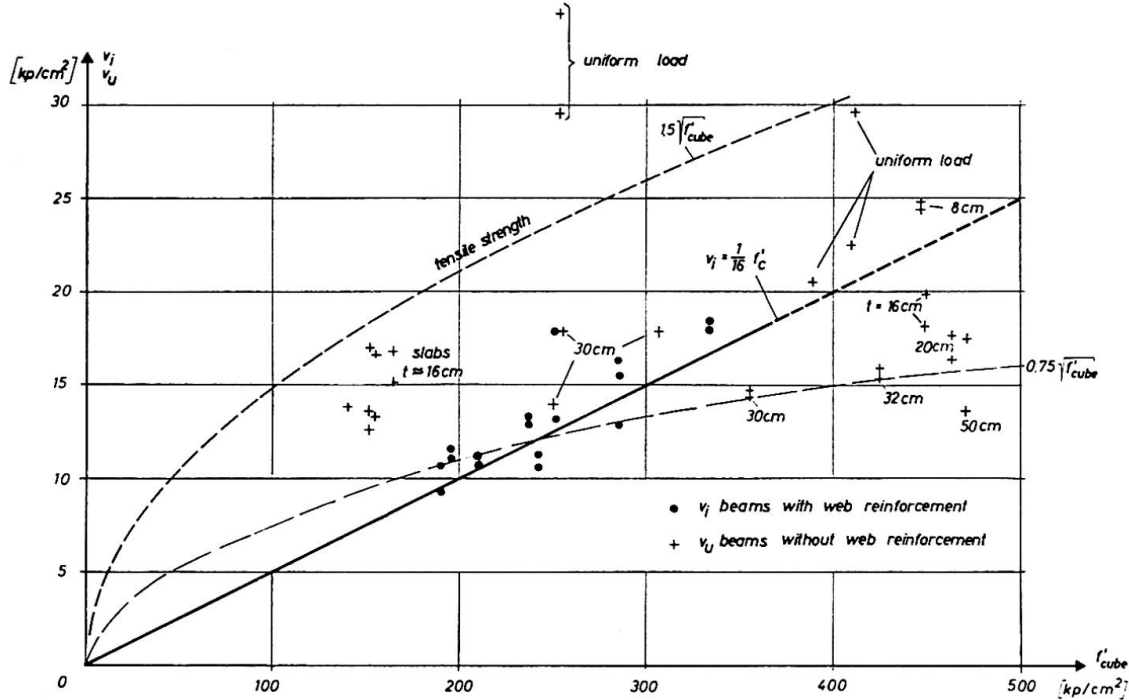


Fig. 15. Shear stress V_i due to portion of shear force carried by compression members of single span beams with shear reinforcement plotted against the cube strength of concrete, compared with the ultimate shear stress V_u of beams without shear reinforcement for different depth d . Only beams with $3,2 < \frac{M}{v d} > 2,5$.

Consequently, the factor for the necessary percentage of shear coverage can be written

$$\eta = \frac{\nu v_{D+L} - v_i}{\nu v_{D+L}} \tag{3}$$

with $D + L =$ working load, $\nu =$ factor of safety.

This formula corresponds in principle to the ACI Code 318-63 and the Stuttgart tests confirm fully the soundness of this new US-Code concerning shear.

If we plot the v_u/f'_c of all our test results for the mentioned range of a/d and the results of [9] against the percentage of shear coverage η , we get fig. 16. The two lines for $v_i = 1/16 f'_c$ and $1/22 f'_c$ are below all corresponding points with two exceptions; three values of continuous beams, which did not fail by

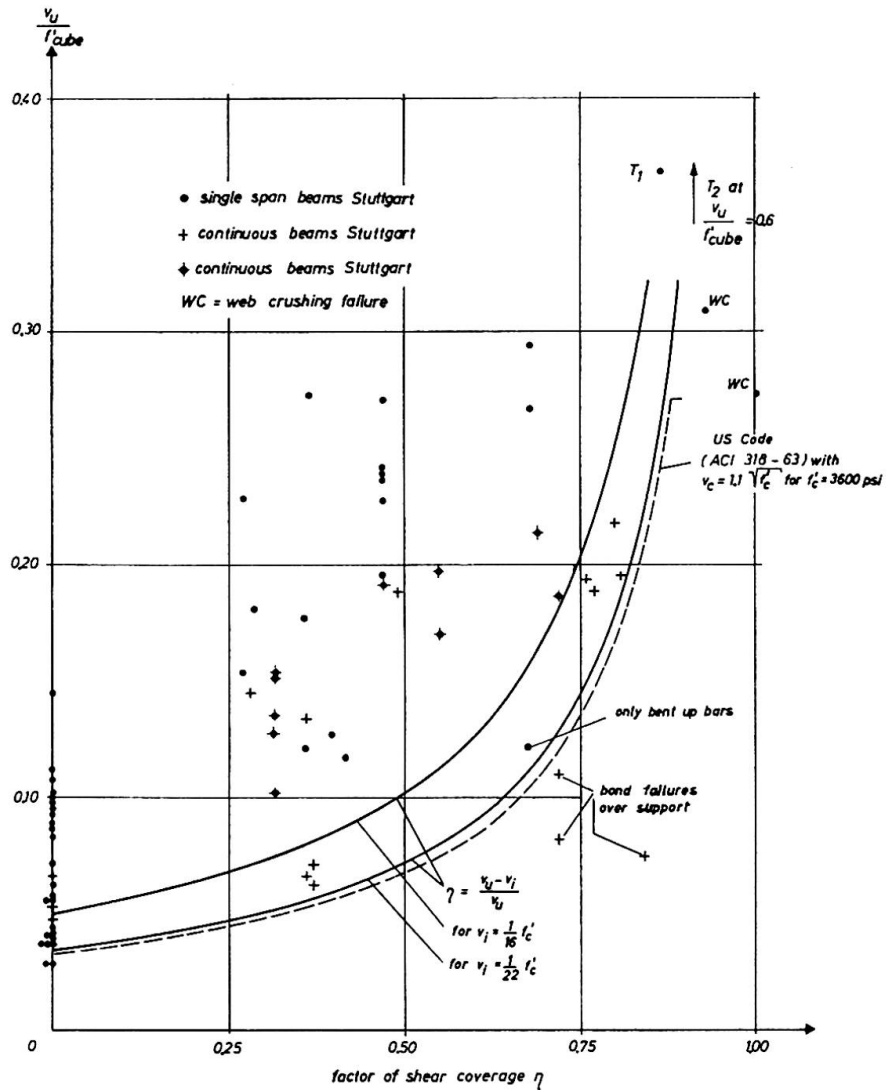


Fig. 16. The ultimate shear stresses of test beams with shear failures plotted against percentage of shear coverage compared with curves $\eta = \frac{v_u - v_i}{v_u}$.

shear in the web but by bond failure of the top chord bars, which have only about half the bond strength of bottom bars due to the sedimentation of the concrete after compaction. One value concerns a simple span beam which was web-reinforced with bent up bars only, which is not allowed.

The graph proves, that the percentage of shear coverage η calculated with eq. (3) using v_i according to (1) gives sufficient safety; v_{D+L} refers to the maximum value of V of the beam and η should be constant for the shear zone belonging to this max V .

An upper limit of v must be chosen in order to avoid failure by diagonal compression in the web. In our tests we found that the diagonal compression is not only influenced by the direction of the web reinforcement (as can be derived from the truss analogy), but it is further influenced by the angle of the shear cracks. We found that for vertical stirrups, the principle diagonal compression stress for high shear intensity can reach

$$t_2 = 2.4 v \text{ (for low shear stresses, it can be } t_2 \rightarrow 3.5 v \text{).}$$

For inclined stirrups, ($\alpha = 45^\circ$), closely spaced, it reaches

$$t_2 = 1.7 v.$$

Therefore, using a factor of safety of 2.1 and a reduction for sustained load, the upper limit of the shear stresses due to the working load can be chosen

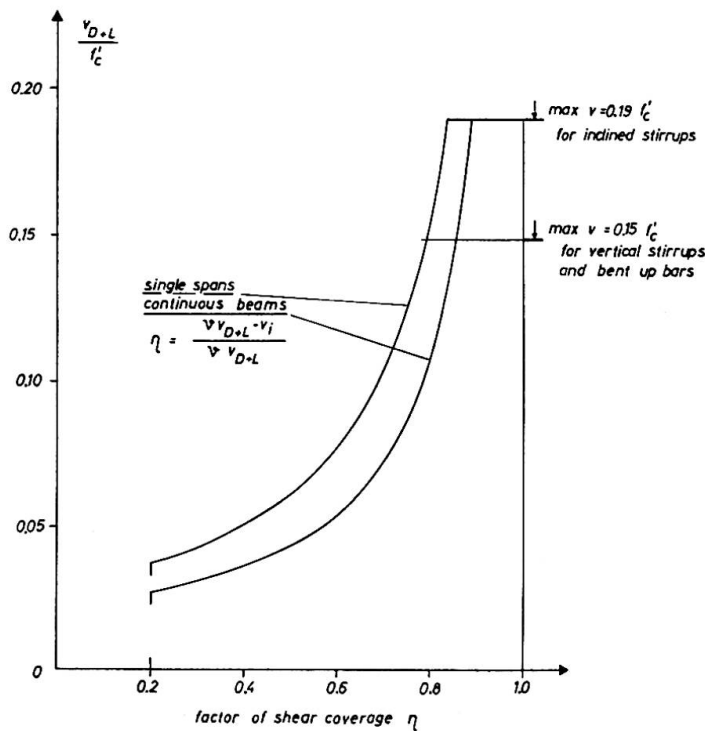


Fig. 17. The required shear coverage for working load design and upper limits of allowable shear stresses.

for vertical stirrups and stirrups combined
 with bent up bars
 for inclined stirrups $\alpha = 45^\circ$ to 55°

$$\max v_{D+L} = 0.15 f'_c$$

$$\max v_{D+L} = 0.19 f'_c$$

(since compression is critical and not tension, we refer v to f'_c and not to $\sqrt{f'_c}$).

The maximum shear stresses for working load give the necessary percentage of shear coverage η for single span and continuous beams according to fig. 17. The upper limits are governed by web compression, the lower limits show the low values which can be allowed without web reinforcement and with constant ties. For T beams with $b'/b < 1/3$, the minimum requirements for shear reinforcement must be observed.

3.2. Further Reduction of the Shear Coverage for Short Beams, Short Slabs or Brackets

The Stuttgart tests have confirmed the results of other investigators [12], concerning the influence of $\frac{M}{v d}$ or of a/d for single loads and of the slenderness ratio l/d for distributed loads as shown in fig. 18. According to these test

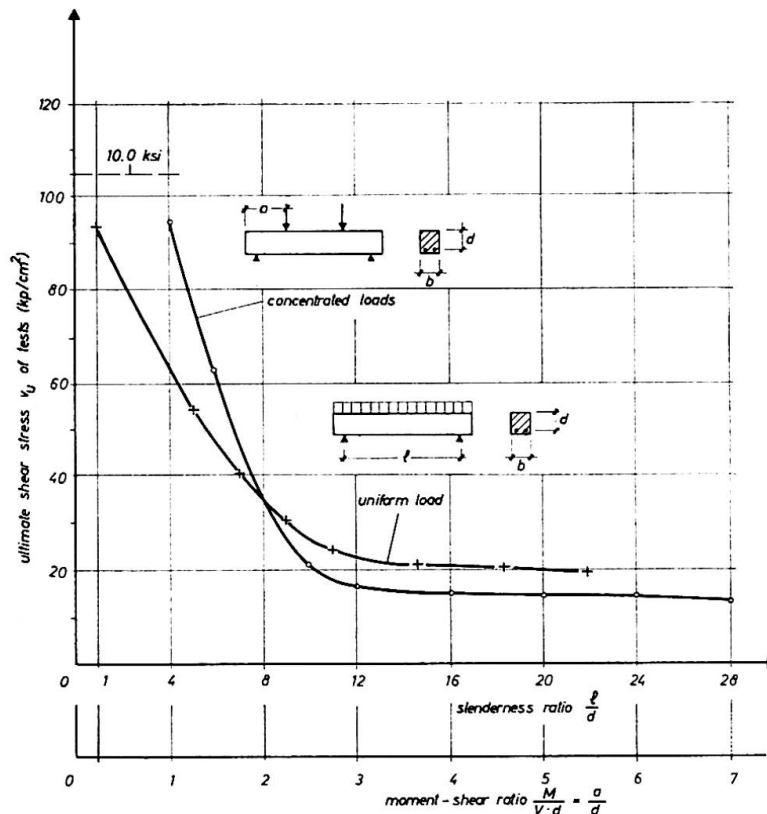


Fig. 18. The increase of shear carrying capacity without shear reinforcement in beams with the decrease of the slenderness ratio l/d or of the shear span, ratio a/d for single loads.

results, the shear strength of beams without shear reinforcement increases rapidly for concentrated loads as soon as $a/d < 3$ or for distributed loads as soon as $l/d < 12$. For deep beams with $l/d = 1$ such high shear stresses had been obtained, that a shear reinforcement would make no sense, as several tests have actually proved [18] [7].

This fact can be fully explained by the arch action of the concrete, it allows us to further reduce the shear coverage by the factor κ , which can be taken from the straight line given in fig. 19. The necessary shear reinforcement will finally be calculated by

$$A_v = \kappa \eta \frac{V s \sin \alpha}{z f_v}$$

or with the percentage of shear reinforcement:

$$r = \kappa \eta \frac{A_v}{b' s \sin \alpha} = \kappa \eta \frac{v}{f_v}$$

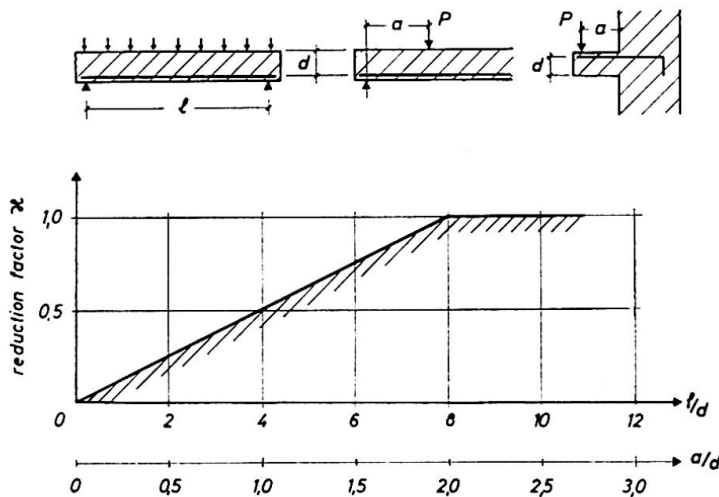


Fig. 19. Reduction factor κ for the portion of the shear force to be carried by web reinforcement or for the shear coverage depending on l/d for uniform load or on a/d for contribution of concentrated loads.

4. Structural Conditions for Reduced Shear Reinforcement

4.1. Preference of Stirrups

The reduced shear coverage should preferably be made with stirrups in close spacing, the spacing decreasing with increasing values of the shear stress from $a < t/2$ to $t/6$. Bent up bars of high strength steel are less suitable and lead to larger width of shear cracks. Inclined stirrups show the best efficiency (fig. 20). Bent up bars are acceptable in continuous beams in the region of

small moments for changing some bars from bottom to top, avoiding herewith the large anchorage length especially in the top region.

The stirrups must be well anchored, preferably with hooks (fig. 21). Stirrups made of a welded wire fabric with a wire spacing of 2 to 6'' and with a top anchorage by welded longitudinal wires, are especially suited for ribs, joists, and small beams in buildings.

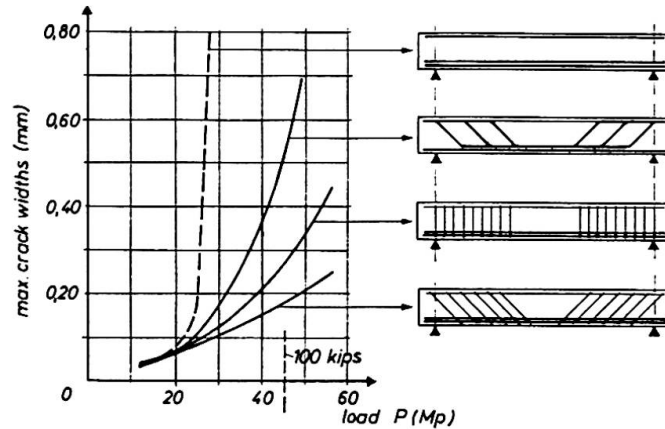


Fig. 20. Maximum crack width of shear cracks for average types of shear reinforcements. Comparison for equal cross-sections A_c and A_s .

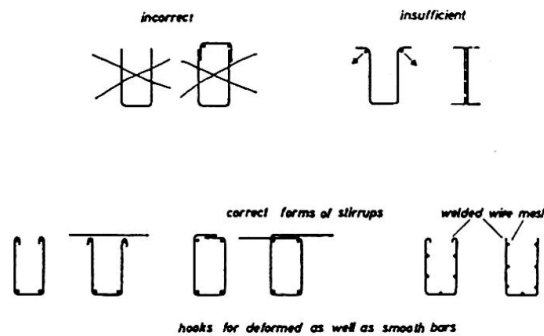


Fig. 21. Value of different forms of stirrups, the upper anchorage with a short length is very important.

4.2. The Determination of the Points for Cut Off and Bent up Bars

It is known that the tie force T is not proportional to the bending moment, as soon as the shear stress is low. For higher shear stresses the distribution of the tie force depends also upon the direction of the shear reinforcement. For low values of v and rectangular cross sections or slabs, the tensile force in the longitudinal reinforcement can be as high as $T = \frac{M}{z} + 1.5V$ near the support. MÖRSCH'S truss analogy gives for vertical stirrups a tie force $T = \frac{M}{z} + \frac{V}{2}$. This value increases according to the described mechanisms.

The length of longitudinal bars can therefore not be found with the M/z -line, but with a T -line, which is found by moving the M/z -line horizontally by the amount of h (fig. 22). This h must be made depending upon v . Since the

shear stress v is connected with the factor of shear coverage η according to fig. 17, it will be sufficient to determine h from η and the direction of the web reinforcement.

The two following values cover practical needs (fig. 23):

$$h = (1.2 - 0.9 \eta) d \geq 0.5 d \text{ for vertical stirrups or vertical stirrups combined with bent up bars,}$$

$$h = (1.2 - 1.2 \eta) d \geq 0.2 d \text{ for inclined stirrups } \alpha = 45^\circ + 55^\circ.$$

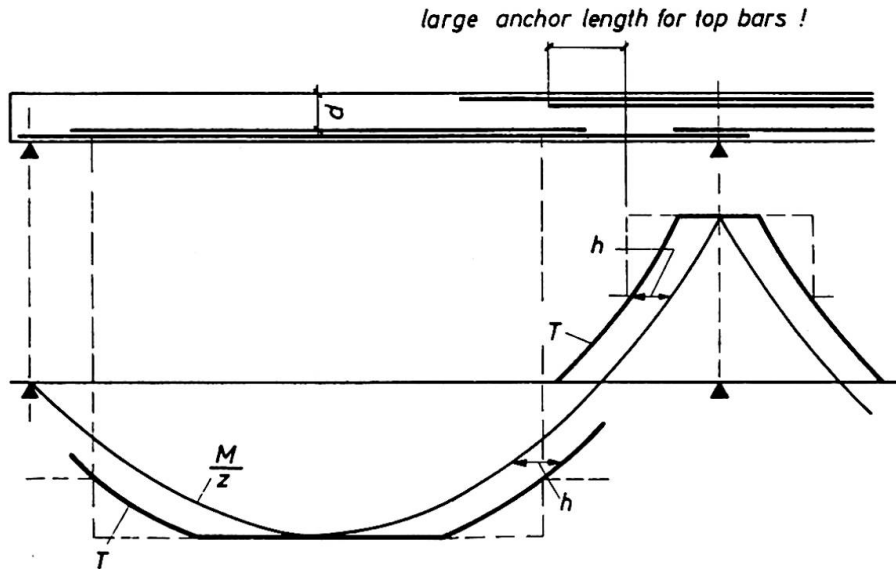


Fig. 22. The determination of the length of cut off bars must be made for a tie force diagram with the T-line found by moving the M/z line horizontally with the length h , found by the diagram of fig. 23.

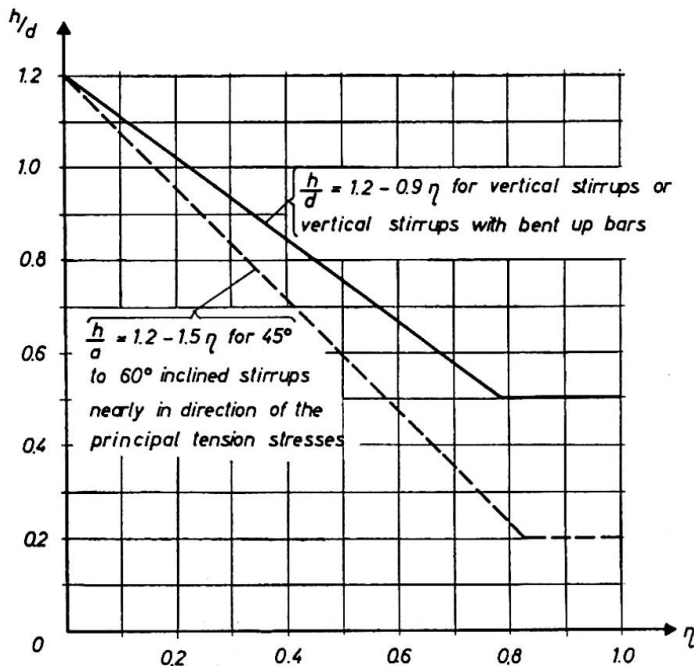


Fig. 23. Values of h for T-line, depending on the factor of shear coverage η and the type of web reinforcement.

Top bars for negative moments over intermediate supports of continuous beams must get a larger length of anchorage than bottom bars, if the beams are concreted in normal position, because the bond strength of top bars is low due to the sedimentation of the compacted concrete. The bond stress of top bars should always be calculated and it will be found, that often small diameters must be used and well distributed horizontally into the slab (fig. 24).

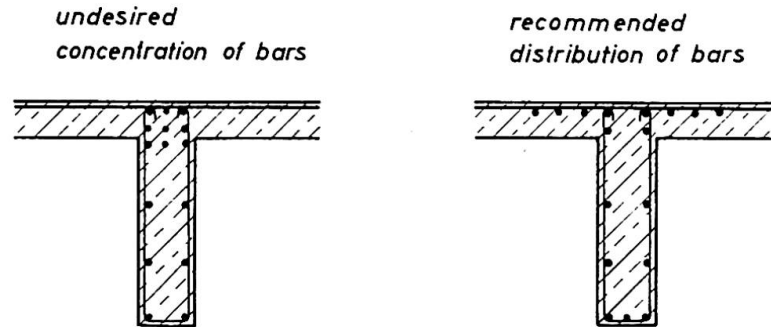


Fig. 24. Top bars for negative moments of continuous beams should be distributed sideways into the slab, using medium diameters of bars.

4.3. Anchorage

In beams and slabs without shear reinforcement, especially in beams with a slenderness of $l/d < 8$ or with concentrated loads close to the supports with $a/d < 2$, a safe anchorage of the longitudinal bars must be provided. In many cases the bond length of straight deformed bars is here inadequate and hooks may be necessary, preferably hooks horizontally placed or loops or special anchor pieces.

5. Torsion and Prestressing

Two tests on large prestressed hollow box girders, of which F. LEONHARDT and R. WALTHER have reported in [16], have shown, that similar relations for reduced web reinforcement as shown here can be established for the shear forces due to torsion and for the reduction by prestressing forces. It was found, however, that the principal compression stress can become as high as 3.5-times the value calculated by usual analysis and, therefore, can become critical earlier than generally suspected. One must, therefore, be careful about the diagonal compression in webs. On the other side for torsion also principal tension has not to be limited for the design, because it is easily possible to take care of the tensile forces by reinforcement in the webs.

Fig. 25 shows a first tentative proposal for the determination of the necessary coverage of shear in prestressed concrete girders, depending upon the shear stress v due to loads and prestressing force and depending upon the average normal stress due to the final prestressing force $f_p = P_p/A_c$. These lines need further confirmation by tests.

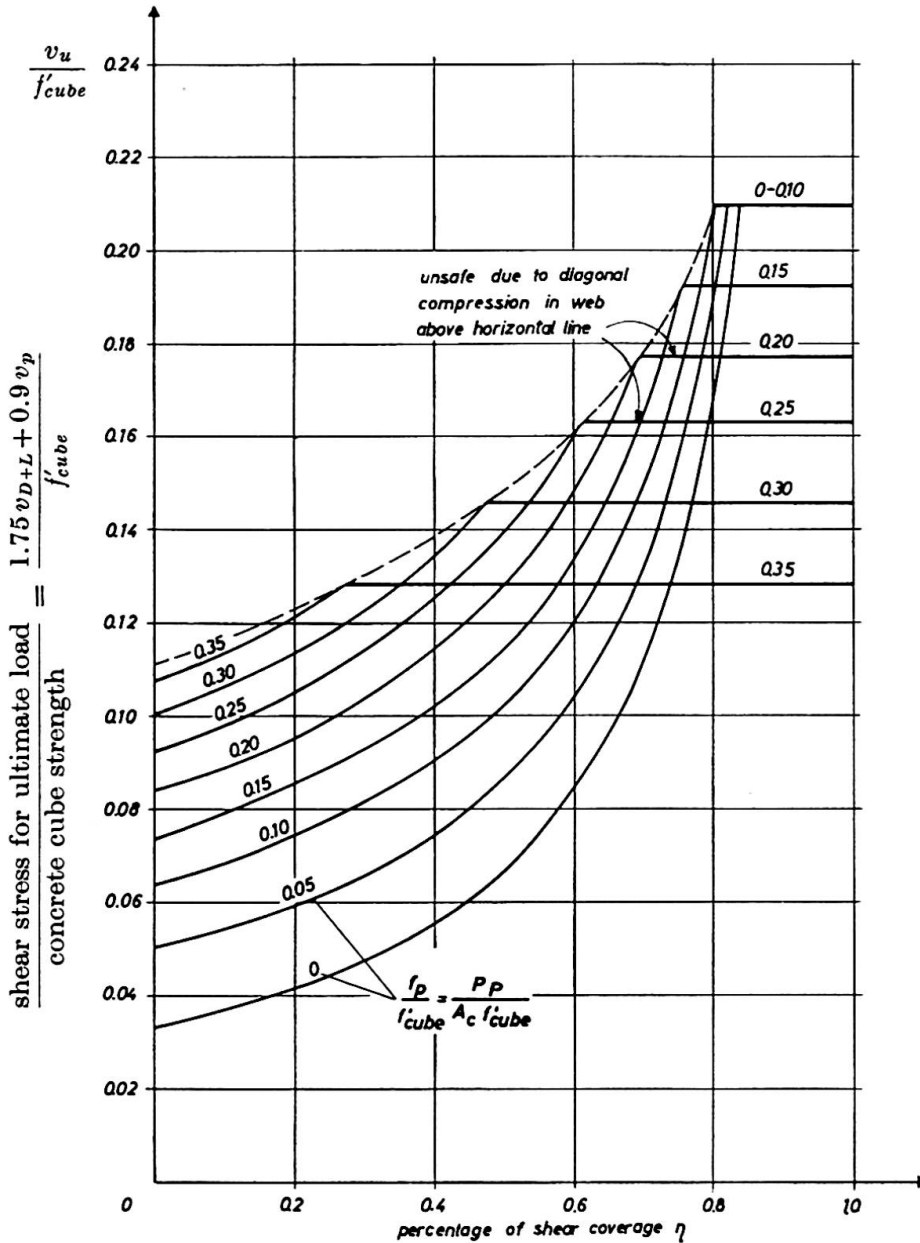


Fig. 25. The necessary shear coverage for prestressed concrete girders, considering the degree of prestressing by the average compression stress due to P_p depending on the maximum shear stress due to loads and P . Limits to prevent web crushing failures.

Literature

1. LEONHARDT, F. and WALTHER, R.: Versuche an Plattenbalken mit hoher Schubbeanspruchung. Heft 152 des DAfSt., Berlin 1962.
2. LEONHARDT, F. and WALTHER, R.: Schubversuche an einfeldrigen Stahlbetonbalken mit und ohne Schubbewehrung. Heft 151 des DAfSt. Berlin 1962.
3. LEONHARDT, F. and WALTHER, R.: Schubversuche an Plattenbalken mit unterschiedlicher Schubbewehrung. Heft 156 des DAfSt.
4. LEONHARDT, F. and WALTHER, R.: Schubversuche an Durchlaufträgern. Heft 163 des DAfSt.
5. LEONHARDT, F. and WALTHER, R.: Beiträge zur Behandlung der Schubprobleme im

- Stahlbetonbau. Beton u. Stahlbetonbau 1961, Heft 12, 1962, Hefte 2, 3, 6, 7 u. 8, 1963, Hefte 8 u. 9 (7 Fortsetzungen).
6. LEONHARDT, F. and WALTHER, R.: Schubversuche an Platten mit geschweißten Bewehrungsmatten. Beton- u. Stahlbetonbau 1964, Heft 4 u. 5 (8. Fortsetzung zu «Beiträge zur Behandlung der Schubprobleme im Stahlbetonbau»).
 7. LEONHARDT, F. and WALTHER, R.: Untersuchungen an wandartigen Trägern mit unterschiedlicher Bewehrung und Belastung. Heft 172 des DAfSt.
 8. BRYANT, ROBERT H., BIANCHINI, ALBERT C., RODRIGUEZ, JOSÉ J. and KESLER, CLYDE E.: Shear strength of two-span continuous reinforced concrete beams with multiple point loading. ACI-Journal, Sept. 1962, Proc. V. 59.
 9. RODRIGUEZ, JOSÉ J., BIANCHINI, ALBERT C., VIEST, IVAN M., KESLER, CLYDE E.: Shear strength of two-span continuous reinforced concrete beams. ACI-Journal, April 1959, Vol. 30.
 10. FERGUSON, PHIL M.: Some implications of recent diagonal tension tests. ACI-Journal, Aug. 1956, Vol. 28.
 11. ACI Building Code, 318-63, June 1963, ACI, Detroit, USA.
 12. LAUPA, A., SIESS, CH. P., NEWMARK, N. M.: Strength in shear of reinforced concrete beams. University of Illinois Bulletin, No. 428.
 13. GURALNICK, S. A.: Shear strength of reinforced concrete beams. Proceedings of the American Society of Civil Engineering, St. 1, Vol. 85, 1959.
 14. FRANZ, G., and NIEDENHOFF, H.: Die Bewehrung von Konsolen und gedrungenen Balken. Beton- u. Stahlbetonbau 1963, Heft 5.
 15. KREFELD, W. J. and THURSTON, C. W.: Studies of the shear and diagonal tension strength of simply supported reinforced concrete beams. Report Columbia University in the City of New York. Department of Civil Engineering and Engineering Mechanics, June 1962.
 16. LEONHARDT, F. and WALTHER, R.: Torsions- und Schubversuche an vorgespannten Hohlkastenträgern. Festschrift der Beton- u. Monierbau AG, Düsseldorf, Okt 1964.
 17. KANI, G. N. J.: The riddle of shear failure and its solution. ACI-Journal, April 1964.
 18. CHOW, LI, CONWAY, H. D. and WINTER, G.: Stresses in deep beams. Proc. ASCE, Sep. No. 127, May 1952, Paper 2557.

Summary

The classical shear analogy of W. RITTER and E. MOERSCH, using a truss with parallel chords and compression struts at an angle of 45° , could be extended on the basis of the Stuttgart shear tests to trusses with an inclined compression chord and struts with angles between 30° and 45° , according to the observed inclined compression forces. The ratio between width of compression flange and width of web is of a particular influence on these inclinations of the truss members and therefore on the amount of forces in the tension bars. This allows to reduce the shear reinforcement by subtracting a stress τ_{0D} from the classical shear stress τ_0 .

The consequent increase of the tensile force in the bottom chord between load and support can be found by moving the M/z -line horizontally by a portion of the depth, depending on the percentage of shear coverage, for which formulas are given. On this way, the tensile force is also found, for which the longitudinal bars must be anchored at end supports.

Practical recommendations are given for the design of the shear reinforcement in single span and continuous beams. The future development of the extended truss analogy on prestressed beams and beams with torsion load is indicated.

Résumé

L'analogie classique pour le calcul au cisaillement selon W. RITTER et E. MÖRSCH, qui admet des treillis à membrures parallèles et bielles de compression à 45° , peut être étendue à des treillis à membrure supérieure inclinée et bielles de compression inclinées de 30° à 45° . Le rapport de la largeur de la dalle de compression à celle de l'âme de la poutre influe fortement sur les efforts dans les armatures tendues, L'analogie élargie du treillis conduit à une diminution de l'armature de cisaillement parce qu'elle permet de réduire la contrainte de cisaillement classique τ_0 d'une constante τ_{0D} .

On tient compte de l'augmentation des efforts de traction longitudinaux qui en résulte dans la zone d'effort tranchant en déplaçant horizontalement la ligne M/z d'une fraction de la hauteur utile d , fraction dépendant du pourcentage d'armatures de cisaillement. En même temps, on obtient aussi l'effort de traction qui doit être ancré à l'appui.

L'auteur donne des règles pratiques pour le dimensionnement de l'armature de cisaillement dans des poutres simples et des poutres continues; il montre le développement futur de cette théorie pour des poutres sollicitées à la torsion et des poutres précontraintes.

Zusammenfassung

Die klassische Schubanalogie mit parallelgurtigen Fachwerken mit 45° Druckstreben von W. RITTER und E. MÖRSCH konnte auf der Grundlage der Stuttgarter Schubversuche zu Fachwerken mit geneigtem Obergurt und Druckstreben in Neigungen von 30° bis 45° erweitert werden. Das Verhältnis der Druckplattenbreite zur Stegbreite ist von besonderem Einfluß auf die Kräfte in den Zugstäben. Die erweiterte Fachwerkanalogie führt zur Verringerung der Schubbewehrung, indem ein Festwert τ_{0D} von der klassischen Schubspannung τ_0 in Abzug gebracht wird.

Die daraus folgende Zunahme der Zuggurtkraft im Querkraftbereich wird durch eine horizontale Verschiebung der M/z -Linie um einen vom Schubdeckungsgrad abhängigen Teil der Nutzhöhe d berücksichtigt. Man erhält damit auch die am Auflager zu verankernde Zuggurtkraft.

Für die Ausbildung der Schubbewehrung in Einfeld- und Durchlaufträgern werden praktische Hinweise gegeben. Die künftige Entwicklung der erweiterten Theorie auf Träger mit Torsionsbelastung und unter Vorspannung wird angedeutet.

Leere Seite
Blank page
Page vide

IV a 2

Discussion of Some Papers of the Preliminary Report

Remarques sur certaines contributions du Rapport Préliminaire

Diskussion verschiedener Beiträge des Vorberichtes

RENÉ WALTHER

Dr.-Ing., Basel/Stuttgart

Following a suggestion made in the General Report, the results presented in some of the papers to the Congress in Rio de Janeiro will be compared with the findings of the extensive investigation into the problem of shear recently conducted at the Otto-Graf-Institute (Technische Hochschule Stuttgart).

Dealing first with the contribution of R. WARNER and B. THÜRLIMANN, the general approach and many assumptions differ considerably from our findings, yet the final conclusions are fortunately very similar as far as the dimensioning of the web reinforcement is concerned. According to our point of view, the following objections can be made:

1. Shear-compression is not the predominant mode of failure, especially not for T-beams or box-girders, which are mostly used in practice¹⁾ and where the problem of shear is more important than for rectangular members.
2. Even for rectangular members the ultimate cause of failure is very often a local or over all destruction of the bond of the longitudinal reinforcement, even though the failure appearance is very similar to shear-compression. Thus the inclined cracks propagate closer to the compression fibre than vertical bending cracks, i. e. $\delta < 1$. This is especially the case for continuous beam, due to the poor bond of the longitudinal tension reinforcement over intermediate supports. Our reevaluation of early and recent test data have conclusively shown, that the influence of bond is so important, that it should not be neglected in deriving empirical parameters.
3. The inclination φ of diagonal cracks is very often smaller than 45° and depends, among other, on the percentage of web reinforcement. Incidentally this is one important reason, why the "full web reinforcement" according to the truss analogy is often not necessary, since the stirrup force Q_s (notations see WARNER and THÜRLIMANN) becomes greater with smaller values of φ .

¹⁾ The vast majority of all the beams mentioned in the Separate Volume on precast concrete, for example, are of non rectangular sections.

4. The relative depth ζ_c of the compression zone is certainly a function of the web reinforcement. The ratio $\delta = \zeta_c / \zeta_0 \sim 1$ was empirically derived only from tests without web reinforcement and does not possibly hold true for beams with web reinforcement.

In spite of these objections — and similar objections can be made to any approach suggested so far — the final simplified design criterion, that the required percentage of web reinforcement be

$$\rho = \frac{Q - Q_c}{\sigma_f b h}$$

with

$$Q_c = \frac{1}{8} \sigma_u \zeta_0 b h$$

corresponds in effect closely to the relationship which we have found from our tests,

i. e.

$$\sigma_{St} = \frac{\tau_0 - \tau_{0cr}}{\rho}$$

with

σ_{St} = mean stress in the stirrups,

τ_{0cr} = shearing stress at inclined cracking load.

but we derived this relationship quite differently namely directly from stirrup stresses, which we have carefully measured in all our beam tests. As a first example we cite the results of a beam series, mentioned already in the contribution of the writer, where only the web thickness was varied. The measured load-stress curves of the stirrups, presented in fig. 1 have all about the same slope, but this slope starts from different loads P depending on the web

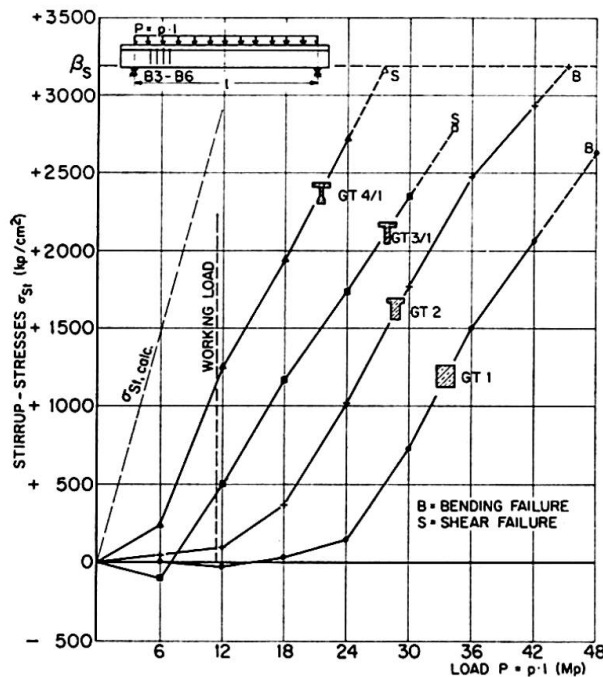


Fig. 1. Measured stirrup-stresses of a beam series, where only the web thickness was varied.

thickness. Undoubtedly this load represents the inclined cracking load P_{cr} since stirrups are only appreciably subjected to tension when inclined cracks have formed. Dividing P_{cr} by $b_0 h$ ($b_0 =$ web thickness) yields an approximately constant value, which can safely be defined as inclined cracking shear stress and which from many tests was found to be about a $1/30$ th of the concrete strength β_p (prism-strength):

$$\tau_{0cr} = \frac{P_{cr}}{b_0 h} \sim \frac{1}{30} \beta_p.$$

By this method the inclined cracking load can reliably be determined and is no more left to the choice of the investigator, as the authors rightly argue for visual observation of the crack propagation.

Another example is given in fig. 2 for a T-beam series where only the

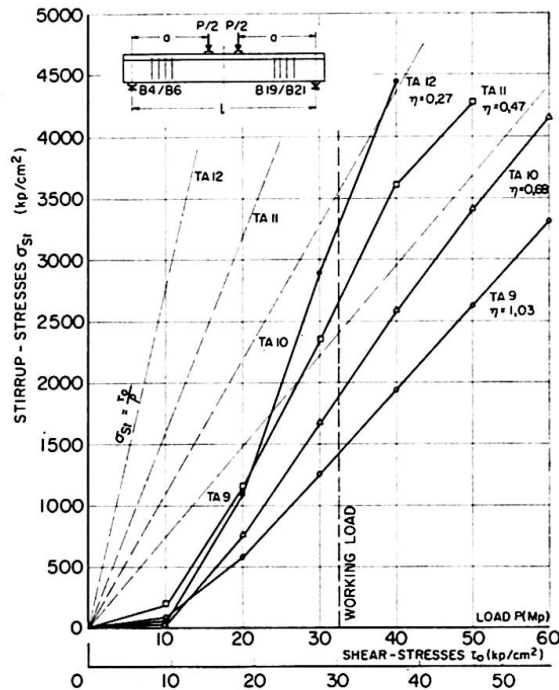


Fig. 2. Measured stirrup-stresses of a beam series, where only the relative amount η of web reinforcement was varied.

percentage of web reinforcement was varied. As expected for beams with constant cross-sections and constant concrete strength the initial cracking load is about the same for all beams. The slope of the load-stress curves depends on the relative amount η of web reinforcement ²⁾, which varied from

²⁾ The notion "percentage ρ of web reinforcement" is not deemed to be a very practical one, since it not related to the shear force and thus does not convey a direct idea of its magnitude. $\rho = 1$ for example may be a very strong web reinforcement for rectangular beams, but a weak one for beams with thin webs. We therefore prefer the notion of "relative amount η of web reinforcement", which is the ratio of the actual web reinforcement to the one theoretically required by the truss analogy ($\eta = 1 =$ "full web reinforcement").

$\eta = 1,03$ (beam T A 9) to $\eta = 0,68$ (T A 10), $\eta = 0,47$ (T A 11) and $\eta = 0,27$ (T A 12). These curves are about parallel to the theoretical ones given by the truss analogy to $\sigma_{St} = \tau_0/\rho$ or $\sigma_{e, B\ddot{u}} = \tau_0/\mu_s$ in our notations.

Thus the measured stirrup stresses follow the relationship mentioned before:

$$\sigma_{St} = \frac{\tau_0 - \tau_{0cr}}{\rho}.$$

This relationship was found in all our tests for simple span and continuous beams of rectangular as well as for I-sections, T- and inverted T-sections and last not least even for prestressed box-girders which will be mentioned in the contribution of F. LEONHARDT. There are many reasons for this phenomenon such as shear resistance of the compression zone, dowel action of the longitudinal reinforcement, inclination of diagonal cracks smaller than 45° , compression and bending stiffness of the concrete compression diagonals (the actual "truss" has no hinged connections) etc.

Since the above design rule corresponds closely to the one suggested by WARNER and THÜRLIMANN and in effect also to the one proposed by the ACI-Building Code it can safely be accepted for practice without worrying about the vastly different and maybe sometimes questionable approaches. Contrary to the restriction assumed by WARNER and THÜRLIMANN, it is also valid for non rectangular beams.

This simple design rule has however to be accompanied by construction requirements especially with respect to the reinforcement (bond, anchorage, spacing, cutt-off bars etc.) and the interaction of moment and shear. Furthermore it does not dismiss the need of a satisfactory and practicable ultimate shear strength theory.

As to the contribution of ST. SORETZ we would like to make two remarks. Firstly, the failure of the continuous member shown in fig. 8 does not seem to be one of normal shear. In our opinion it was primarily due to the fact that the hooks of the bent up bars were anchored in the critical tension zone, which is contrary to generally accepted rules of reinforced concrete design. Since these bent up bars were stronger than the too widely spaced stirrups, they tended initially to carry most of the shear force in the vicinity of the intermediate support but could not transfer that force to the tension chord.

The second remark pertains to the merits of horizontal web reinforcement. Undoubtedly such a reinforcement is beneficial to minimize the crack width, especially for relatively deep beams. The tests cited by SORETZ however disprove the claim of E. RAUSCH, that the horizontal web reinforcement has to be equally strong as the stirrups, since beam C 4, where the area of horizontal web reinforcement was only half of that of the stirrups, showed markedly smaller crack widths than beam C 3 with three times as much horizontal web reinforcement. This is not surprising, when compared with our measurements of the relative displacement of the crack borders, shown in fig. 3 for a T-beam

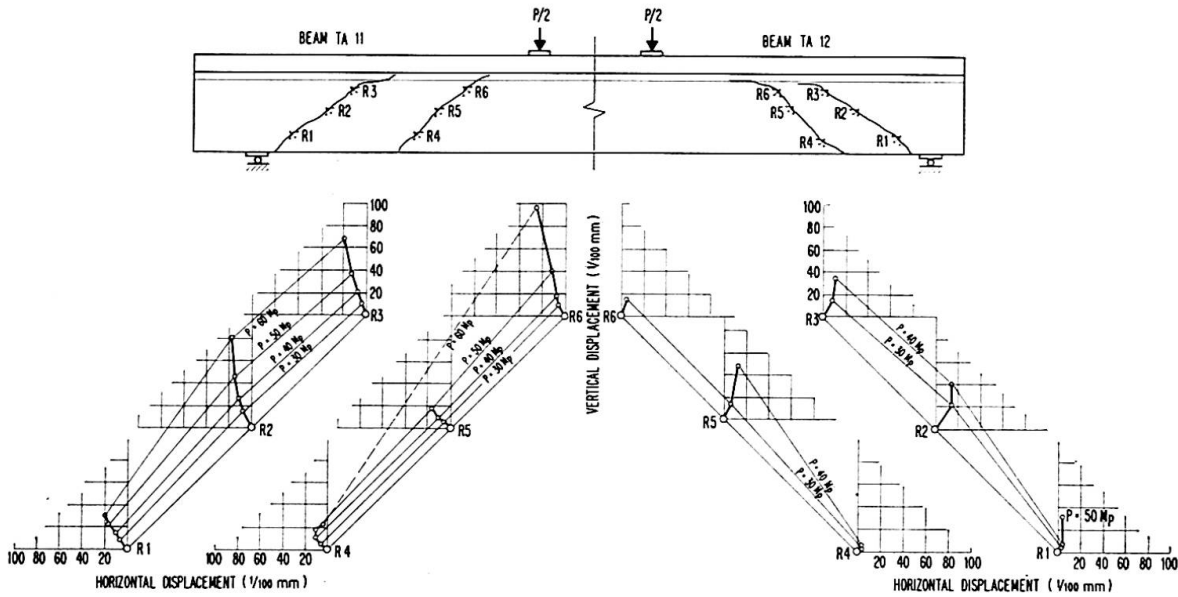


Fig. 3. Relative displacement of the crack-borders for a T-beam with vertical stirrups. Shear cracks open about twice as much in vertical direction than in horizontal.

with vertical stirrups. It follows that shear crack open about twice as much in vertical direction than in horizontal. Consequently vertical or slightly inclined stirrups are definitely the best shear reinforcement.

Summary

Some papers of the Preliminary Report are discussed and compared with the findings of investigations at the Institute of Technology Stuttgart.

It is shown, that the design rules proposed by WARNER and THÜRLIMANN correspond closely to the ones derived by LEONHARDT and the writer, even though the basic approach of the problem was quite different.

Test data is presented to prove the effect of vertical and horizontal web reinforcement.

Résumé

On discute certaines contributions contenues dans le Rapport Préliminaire et on les compare avec les résultats des recherches conduites à l'École Polytechnique de Stuttgart.

Il est montré que les règles proposées par WARNER et THÜRLIMANN pour le dimensionnement des armatures correspondent étroitement à celles établies par LEONHARDT et l'auteur, et ce en dépit des différences fondamentales qui distinguent les deux manières selon lesquelles le problème a été abordé.

On présente les résultats de différents essais afin de mettre en évidence les effets des armatures de cisaillement verticales et horizontales.

Zusammenfassung

Es werden einige Beiträge des Vorberichts diskutiert und mit Ergebnissen der an der Technischen Hochschule Stuttgart durchgeführten Schubversuche verglichen.

Trotz der grundlegend verschiedenen Ansätze kommen WARNER und THÜRLIMANN zu ähnlichen Bemessungsregeln für die Schubbewehrung wie sie aus den Stuttgarter Schubversuchen abgeleitet wurden.

Anhand von Meßergebnissen wird die Wirksamkeit von horizontalen und vertikalen Schubzulagen aufgezeigt.

IV a 3

Über eine Erweiterung der Mörschschen Fachwerkanalogie

An Extension of the Mörsch Truss Analogy

Sur une extension de la méthode du treillis de Mörsch

HUBERT RÜSCH

Prof. Dr.-Ing. Dr.-Ing. E. h., München

1. Die Fachwerkanalogie

MÖRSCH hat die Fachwerkanalogie als ein Gedankenbild für die Bemessung der Schubbewehrung entwickelt. Nach seinen Vorstellungen sind die Druckstreben immer unter 45° gegen die Balkenachse geneigt, während die Richtung der Zugstäbe weitgehend frei gewählt werden darf.

Vielfach wurde dieses Fachwerk nur als eine vergrößerte Darstellung des Trajektorienbildes aufgefaßt. Die starre Bindung der Neigung der Druckstreben wurde durch den an der neutralen Achse auftretenden Größtwert der Schubspannung erklärt, der unter 45° geneigte Hauptspannungen erzeugt. Dies macht auch verständlich, daß bis heute die Vorstellung lebendig blieb, die von einem Balken aufnehmbare Querkraft würde durch die «Schubfestigkeit des Betons» bestimmt.

2. Die Bedeutung der Schubspannung für den Stahlbeton

In diesem Zusammenhang muß daran erinnert werden, daß der Größtwert der Hauptschubspannung nur für das Verhalten der zähen Werkstoffe eine ausschlaggebende Rolle spielt. Bei spröden Werkstoffen, zu denen der Beton zählt, muß die Bruchgefahr an Hand der gleichzeitig wirkenden Hauptspannungen beurteilt werden.

Wir haben uns in diesem Sinne schon lange daran gewöhnt, bei der Bemessung von Schalen und Scheiben zuerst die Größe und Richtung der Hauptspannungen zu bestimmen und dann die Hauptdruckspannungen dem Beton, die Zugspannungen der eingelegten Bewehrung zuzuweisen. Dabei wird gar nicht in Erwägung gezogen, daß in die Berechnung der Hauptspannungen eingehende Schubspannung eine andere Bedeutung als die einer Spannungskomponente zuzuweisen oder gar ihre Größe in der bei Balken üblichen Weise auf einen niedrigen Wert zu begrenzen. Wie richtig das ist, zeigt eine einfache Überlegung. Der örtlich auftretende Zahlenwert der Schubspannung hängt in erster Linie von der zu Beginn der Berechnung gewählten Richtung des

Koordinatennetzes ab; er verschwindet ganz, wo zufällig die willkürlich gewählte Koordinatenrichtung mit der vom Belastungszustand bestimmten Hauptspannungsrichtung zusammenfällt.

Für die Bemessung von schlanken Balken kommt aber der Schubspannung doch eine Bedeutung zu. Dieser scheinbare Widerspruch läßt sich auf einfache Weise erklären. Der nach der Schubspannungsformel $\tau_0 = Q/bz$ berechnete Wert hat noch eine zweite Bedeutung. Er ist auch ein Maßstab für die auf die mitwirkende Querschnittsfläche bh und die Betonfestigkeit β_w bezogene Querkraft $q = Q/bh\beta_w$, da $z/h \approx 0,9$ konst. ist. Es ist demnach gar nicht falsch, wenn die Bestimmungen mancher Länder zur Vereinfachung die zulässige Querkraft mit $\tau_0 = Q/bh$ und nicht mit $\tau_0 = Q/b \cdot 0,9h$ begrenzen. Damit wird man nur der Tatsache gerecht, daß im Querkraftbereich eines solchen Balkens die Schubspannungen selbst nur eine untergeordnete Rolle spielen, wie im folgenden gezeigt wird.

3. Die Besonderheiten des schlanken Balkens

Das in einem schlanken Balken im ungerissenen Zustand entstehende Spannungsbild läßt sich am leichtesten an Hand des Trajektorienbildes der Hauptspannungen verstehen. Es ist durch 2 Scharen von sich rechtwinklig kreuzenden Druck- und Zuggewölben gekennzeichnet, die lotrecht an den beiden Rändern aufstehen. Die Gewölbekräfte sind am Rand gleich Null und haben im Scheitel ein Maximum. Die Horizontalkomponenten der Gewölbekräfte tragen das Biegemoment, die Vertikalkomponenten die Querkraft.

Wenn nun mit steigender Last die Zugfestigkeit des Betons überwunden wird, entstehen Risse, deren Richtung den Drucktrajektorien folgend die Zuggewölbe durchschneidet. Die ausfallende Betonzugkraft muß nun von den zu diesem Zweck eingelegten Bewehrungsstäben aufgenommen werden. Die Stahldehnung ist aber mehrfach größer als die zum Riß führende Betondehnung, die nur 0,1 bis 0,15‰ betrug. Der Dehnungszuwachs stört die Verträglichkeitsbedingung und führt mit steigender Last zu einer fortschreitenden Umlagerung der inneren Kräfte.

Die Risse folgen deshalb in ihrem weiteren Verlauf nicht mehr der ursprünglichen, sondern der sich ständig verändernden Form der Drucktrajektorien. Sie unterteilen den Beton des Balkens in ein kammartiges Gebilde. Die Biegedruckzone ist der Rücken dieses Kammes, seine Zähne sind durch die Bewehrung miteinander gekoppelt. Kammrücken und Kammzähne werden vorwiegend durch Normalkräfte mit zusätzlichen Biegemomenten belastet. Die Schubspannungen spielen im gerissenen Betontragwerk nur noch eine nebengeordnete Rolle. Der Bruch ist in den meisten Fällen eine Folge der Druckspannungen, welche nach dem Ausfall der Betonzugzone rasch ansteigen.

Der schlanke Balken unterscheidet sich also von den vorher beschriebenen Schalen und Scheiben vor allem in 3 Dingen:

- 3.1. Wegen der kleinen Konstruktionshöhe wird die Zugfestigkeit des Betons meist schon unterhalb der Gebrauchslast überschritten; deshalb entstehen wesentlich mehr Risse.
- 3.2. Die Bewehrung des Balkens im Querkraftbereich läßt sich nicht auf ebenso einfache Weise wie bei Schalen der Richtung der Hauptzugspannungen anpassen.
- 3.3. Aus den vorgenannten beiden Gründen entsteht nach dem Erreichen der Betonzugfestigkeit eine wesentlich größere Umlagerung der inneren Kräfte.

4. Die Brucharten

Wenn man also bei Scheiben und Schalen meist darauf vertrauen kann, daß nur wenige Risse entstehen werden und deshalb die nach der Elastizitätstheorie für den ungerissenen Querschnitt berechneten Schnittkräfte die Beanspruchung zutreffend beschreiben, kann man bei schlanken Balken die dem Ausfall der Betonzugzone folgenden Umlagerungen der Schnittkräfte nicht mehr vernachlässigen. Ihre Auswirkungen zu verfolgen ist das Anliegen aller sogenannten Schubtheorien. Die Bezeichnung «Schubtheorie» ist aber irreführend. Die Ursachen eines Bruches im Querkraftbereich sind nicht in den Schubspannungen, sondern in den nachstehend aufgezeichneten Erscheinungen zu suchen (siehe Fig. 1).

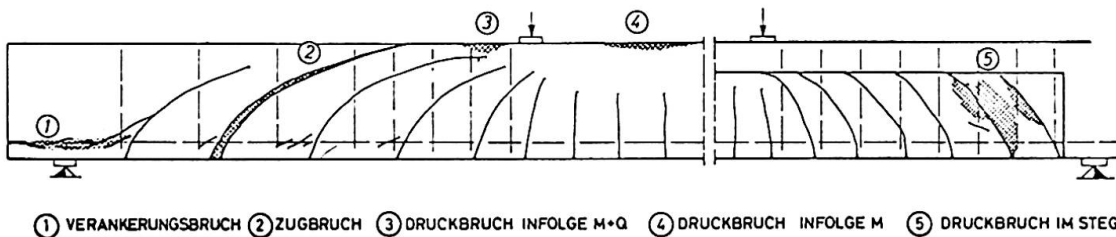


Fig. 1.

Bruch der Biegedruckzone infolge $M + Q$

Im Querkraftbereich ist die Biegedruckkraft kleiner als an der weiter zur Balkenmitte liegenden Stelle des größten Momentes. Das von der Umlagerung der inneren Kräfte ausgelöste Hochwandern eines Schrägrisses kann aber den Kammrücken örtlich so stark einschnüren, daß an dieser Stelle die Druckfestigkeit des Betons vorzeitig überschritten wird.

Druckbruch des Steges

Er entsteht in Plattenbalken mit breitem Druckgurt und sehr dünnem Steg, wenn die Querkraft von flach geneigten Druckstreben übernommen werden muß.

Zugbruch

Er tritt vor allem bei fehlender oder zu schwacher Querbewehrung auf. Er ist die Folge der durch die exzentrisch wirkende Biegedruckkraft und die Querkraft im Kammrücken ausgelösten Hauptspannungen, die eine starke Druckkomponente und eine schwache Zugkomponente aufweisen. Unter der Wirkung der Zugkomponente verlängert sich ein schon bestehender Schrägriß und durchschneidet die Biegedruckzone ganz.

Verankerungsbruch der Längsbewehrung

Er tritt häufig dann auf, wenn die Längszugkraft nach dem Auflager zu langsamer abnimmt als erwartet wurde. Dies ist vor allem bei Balken mit geringer Querbewehrung der Fall, welche die Lasten weitgehend durch Bogen- oder Sprengwerk Wirkung tragen.

Bruch der Querbewehrung

Diese Bruchart wird nur der Vollständigkeit halber erwähnt. Sie kann nur ausnahmsweise bei sehr schwacher oder spröder Querbewehrung und erst nach großen Verformungen entstehen.

5. Die Schubtheorien

Im Gebiet der reinen Biegung kann man die nach dem Entstehen der Risse auftretenden Spannungen für alle Belastungsgrade bis zum Bruch unter strenger Beachtung der Gleichgewichts- und Verträglichkeitsbedingungen berechnen. Für das Gebiet der gleichzeitigen Beanspruchung durch Moment und Querkraft fehlt eine solche strenge Theorie. Die sogenannten «Schubtheorien» bringen nur Näherungslösungen, die man je nach der Art des Vorgehens in folgende Gruppen einteilen kann:

Fachwerkanalogien

In neueren Arbeiten wurde der Versuch unternommen, die von RITTER [1] und MÖRSCH [2] eingeführte starre Bindung an 45° geneigte Druckstreben zu verlassen und die wahre Neigung dieser Streben unter Berücksichtigung der Formänderungen zu bestimmen [3, 4, 5, 6]. Dabei kommt man zu spürbar flacheren Neigungen und erzielt auch eine bessere Übereinstimmung mit den Versuchsergebnissen.

Hypothesen über die Festigkeit der Druckzone

Eine andere Gruppe versucht, nur die als $M + Q$ Bruch oder Zugbruch beschriebenen Vorgänge zu klären, die zu einem Bruch des Druckgurtes führen,

da dieser Art des Versagens in der Praxis eine besondere Bedeutung zukommt. Sie berechnen aus Moment und Querkraft die im Druckgurt auftretenden Hauptspannungen und vergleichen sie mit einer nach MOHR entwickelten Hüllkurve. Ein Teil dieser Autoren [7, 8, 9] bestimmt die Höhe der Druckzone auch im Querkraftbereich mit den für reine Biegung geltenden Ansätzen, während andere [10] die im Querkraftbereich entstehende Einschnürung der Druckzone berücksichtigen. Unsicher bleibt dabei, welcher Teil der Querkraft von dem Druckgurt getragen werden muß.

Empirische Formeln

In neuester Zeit wurden vielfach mangels einer ausreichenden theoretischen Grundlage empirische Formeln vorgeschlagen, welche die durch Versuche gewonnenen Erfahrungen zu einer den Bedürfnissen der Praxis angepaßten Formel verdichten wollen. Solche Vorschläge wurden auch mehrfach in Bemessungsvorschriften übernommen [11, 12].

6. Versuch zu einer exakten Lösung

Es wurde schon erwähnt, daß nach Überwindung der Zugfestigkeit des Betons der von Rissen durchschnittenen Balken einem Kamm ähnelt, dessen Zähne durch die Bewehrungsstäbe gekoppelt werden. Der Spannungszustand eines solchen Traggliedes ist innerlich hochgradig statisch unbestimmt. Der

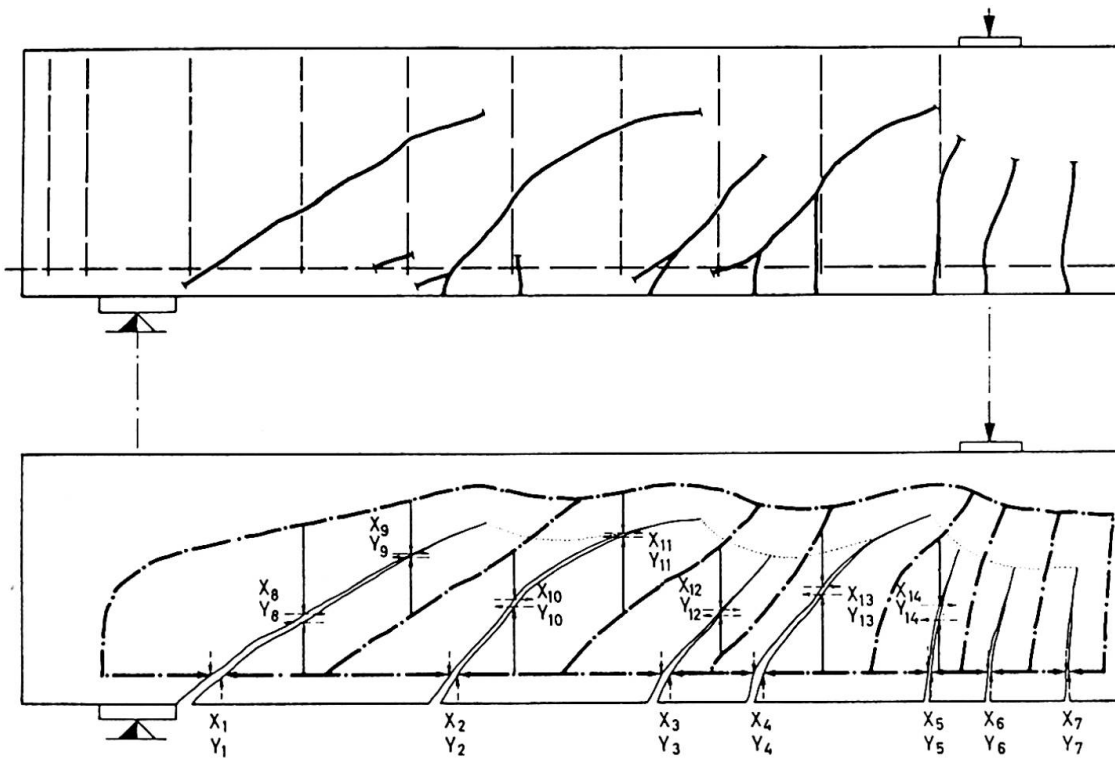


Fig. 2.

Gedanke liegt nahe, die von der Bewehrung ausgeübten Koppelungskräfte als statisch unbestimmte Größen aufzufassen. Die Bewehrung übt aber nicht nur in der Stabrichtung wirkende Koppelungskräfte X_i , sondern auch parallel zu den Rissen wirkende Verdübelungskräfte Y_i aus. Das zugehörige statische Grundsystem zeigt Fig. 2 an einem stark vereinfachten Beispiel. Selbst in normalen Fällen kann sich die Zahl der überzähligen Größen auf 50 erhöhen.

Die modernen Rechenautomaten ermöglichen es, derart hochgradig statisch unbestimmte Systeme selbst dann zu lösen, wenn die Systemachsen des Betontragwerkes eine sehr unregelmäßige Form annehmen und sich die Querschnittsgrößen von Stelle zu Stelle ändern.

Dieser Weg zu einer theoretischen Bestimmung der im Querkraftbereich auftretenden Spannungen wurde am Institut des Verfassers durch Nachrechnungen einer Reihe von Versuchsbalken erprobt. Dabei wurde eine gute Übereinstimmung zwischen den berechneten und im Versuch gewonnenen Werte erreicht, wenn alle Verformungsgrößen des Betons und der Bewehrung wirklichkeitsnah in die Berechnung eingeführt wurden. Vor allem waren folgende Gesichtspunkte zu berücksichtigen.

- 6.1. Der Verformungsmodul des Betons ändert sich nicht nur mit steigender Spannung, sondern auch mit der Dauer der Belastung.
- 6.2. Es sind nicht nur die elastischen Verformungen der Bewehrung, sondern auch die an den Verankerungsstellen auftretenden bleibenden Verschiebungen zu berücksichtigen. Diese Verschiebungen sind nach noch unveröffentlichten Versuchen am Institut des Verfassers viel größer als bisher vermutet wurde. Die Hakenverankerung eines Bügels führt beispielsweise nach Fig. 3 bei Rundstahl und 1400 kp/cm^2 Stahlspannung zu $0,5\text{--}0,8 \text{ mm}$, bei Rippenstahl und 2400 kp/cm^2 Spannung zu $0,7\text{--}0,8 \text{ mm}$ Schlupf. Diese Verschiebungen überwiegen bei normalen Balkenabmessungen weit die Größe der elastischen Verformungsanteile.
- 6.3. Die Längsstäbe übertragen eine zwischen den Rißufern wirkende Querkraft. Wenn sie zu groß wird, entstehen die bekannten flachen und kurzen Risse, welche die Längsstäbe begleiten und ihren Verbund schädigen (siehe linke Hälfte von Fig. 1). Die Verdübelungskraft (Y in Fig. 2) nimmt dann ab. Der Zusammenhang zwischen der Verdübelungskraft und der Verschiebung der Rißufer ist leider noch zu wenig erforscht, so daß mit Näherungen gearbeitet werden mußte.

Es besteht kein Zweifel, daß Untersuchungen der im vorstehenden beschriebenen Art geeignet sind, das wahre Tragverhalten des schlanken Balkens verstehen zu lernen. Daß dazu eine so komplizierte mathematische Analyse notwendig ist, bedarf der Erklärung. Man möchte glauben, die im Versuch gemessenen Verformungen müßten für sich allein genügen, um unter Heranziehung der Verformungsgesetze und der Gleichgewichtsbedingungen ein genügend zuverlässiges Bild des Kräftespieles zu liefern. Dies ist aber leider nicht der

Fall. Versucht man z. B. auf diesem Wege die im Kammrücken wirkende Querkraft zu bestimmen, zeigt sich, daß schon eine kleine Ungenauigkeit in der Zugkraft der Längsbewehrung das Vorzeichen der Querkraft umdrehen kann. Die aus der Dehnung der Staboberfläche berechnete Zugkraft ist aber immer ungenau, da sie durch Biegespannungen und die teilweise Mitwirkung des Betons auf Zug beeinflusst wird.

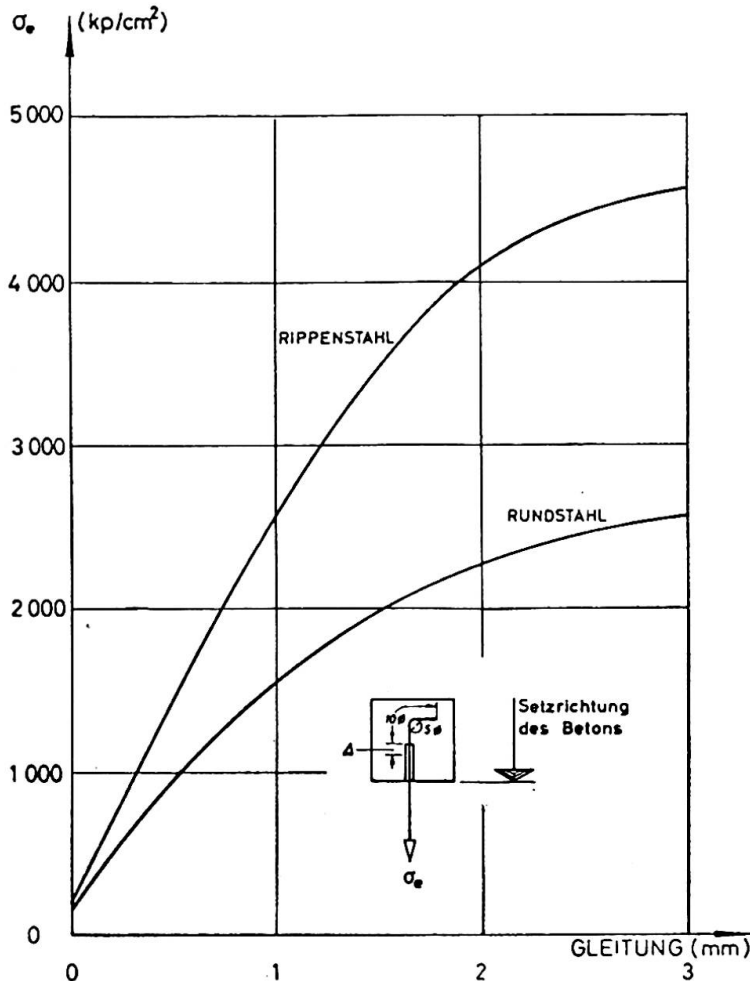


Fig. 2.

Die mathematische Behandlung hat den großen Vorteil, daß an jeder Stelle des Tragwerkes die Gleichgewichts- und die Verträglichkeitsbedingungen erfüllt werden. Örtliche Ungenauigkeiten der Berechnungsannahmen können sich dann bei einem hochgradig statisch unbestimmten System niemals stark auswirken, weil sie durch kleine Veränderungen *aller* statisch unbestimmten Größen kompensiert werden. Dies hat eine systematische Untersuchung der Fehlerempfindlichkeit des elektronischen Programmes deutlich gezeigt.

Es muß aber besonders hervorgehoben werden, daß das beschriebene Verfahren nur dazu dienen soll, das Tragverhalten schlanker Balken zu studieren und den Einfluß einer Variation einzelner Faktoren — z. B. der Betongüte, der Stahlgüte, der Steifigkeit der Verdübelungskräfte usw. — systematisch zu verfolgen. Die mit elektronischen Rechnern gemachten Erfahrungen zeigen,

daß die Berechnung, sobald einmal das Programm vorliegt, billiger und aufschlußreicher sein kann als Versuchsreihen. Natürlich kann aber ein solches Programm niemals dazu dienen, die täglich in der Praxis anfallenden Aufgaben zu lösen.

7. Der Grundgedanke der erweiterten Fachwerkanalogie

Das wahre Tragverhalten der schlanken Balken ist, wie im vorstehenden gezeigt wurde, nur im Bereich der reinen Biegung mit einfachen Formeln zu erfassen. Für den Querkraftbereich wird man sich in der Praxis wohl immer mit einem Näherungsverfahren begnügen müssen. Zur Entwicklung solcher Formeln erscheint der unter 5 angedeutete Weg zur Erweiterung der Fachwerkanalogie am geeignetsten. Dies gilt vor allem dann, wenn man nicht von der wesentlichsten Grundlage des Stahlbetons abweichen will, die fordert, daß alle zum Gleichgewicht notwendigen Zugkräfte durch Stahl abzudecken sind.

Nach den in den letzten Jahrzehnten ausgeführten Versuchen steht eindeutig fest, daß man in manchen Bereichen die Querbewehrung gegenüber den von MÖRSCH aufgestellten Forderungen wesentlich vermindern kann. Es wurden aber auch andere Beobachtungen gemacht, die sich durch die bisherigen Vorstellungen nicht vollständig erklären lassen. Im folgenden wird gezeigt werden, wie sich die meisten Widersprüche durch eine Weiterentwicklung der Fachwerkanalogie beseitigen lassen, wenn man die strenge Bindung an 45° geneigte Druckstreben aufgibt. Daß diese Bindung auch nicht notwendig ist, wurde in den vorausgegangenen Abschnitten schon gezeigt.

8. Der Einfluß der Neigung der Druckstreben

In der oberen Hälfte der Fig. 4 wird ein Fachwerk mit der Strebenneigung $\alpha = 45^\circ$ gezeigt, das den von MÖRSCH aufgestellten Forderungen entspricht; bei der unteren Hälfte wurde zur Aufnahme der gleichen Last die Strebenneigung flacher gewählt. In beiden Fällen sind senkrechte Zugstäbe vorgesehen ($\beta = 90^\circ$). Die Querbewehrung soll also aus Bügeln bestehen. Zwischen beiden Fachwerken bestehen folgende Unterschiede:

- a) Beim oberen Fachwerk muß die Querkraft durch die Pfosten viermal, beim unteren nur zweimal zum Obergurt hochgehoben werden. Man braucht also beim zweiten Beispiel nur halb so viel Querbewehrung.
- b) Die Völligkeit der im Bild ebenfalls dargestellten Zugkraftlinie der Längsbewehrung ist von der Strebenneigung abhängig. Was beim zweiten Beispiel an Querbewehrung eingespart wurde, wird durch den Mehraufwand an Längsbewehrung wieder verbraucht.
- c) Diese Feststellungen ändern sich nicht grundsätzlich, wenn man die Quer-

kraft durch eine Reihe von überlagerten Fachwerken aufnimmt (Fig. 5). In diesem Falle verwandelt sich nur die Stufenlinie der Gurtkraft in eine Gerade und das Maß v wird kleiner, um das die Zugkraftlinie des Fachwerkes gegenüber der Zugkraftlinie des Balkens nach dem Auflager zu verschoben liegt. Das Maß v wird anschaulicherweise als Verschiebemaß bezeichnet.

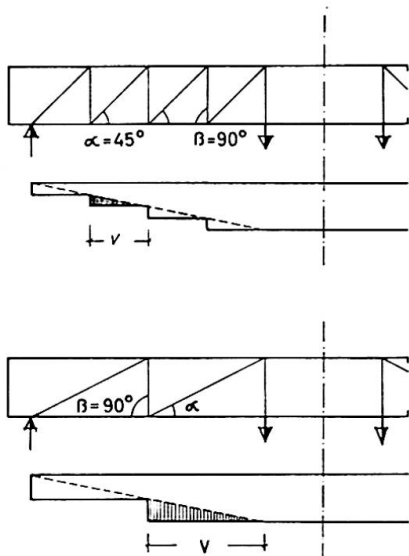


Fig. 4.

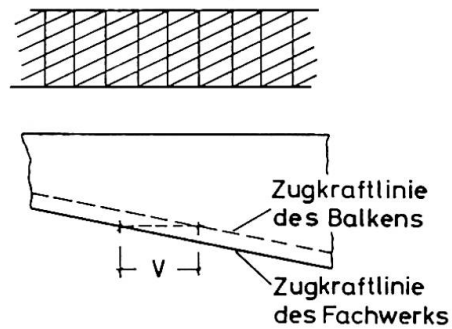


Fig. 5.

9. Der Einfluß der Krafteintragung

Bei den in Fig. 4 gezeigten Fachwerken hing die Last am Balken. Fig. 6 zeigt nun, daß die Art des Lastangriffes sowohl die Neigung der Druckstreben als auch die Querbewehrung spürbar beeinflusst.

Beim obersten Fachwerk wirken sowohl die Last als auch die Stützkraft direkt und als Druckkräfte ein. Die Querkraft kann in diesem Falle allein durch die Druckstrebe und ohne jede Querbewehrung getragen werden. Die von außen einwirkende Last ersetzt also in diesem Falle die Zugkraft des Pfostens und damit auch die ihr entsprechenden Bügel. Im gleichen Maße aber, wie man in den folgenden Beispielen von Fig. 6 dazu übergeht, die Last indirekt durch Querbalken einzutragen, läßt diese günstige Wirkung nach. Sie verkehrt sich sogar in das Gegenteil, wenn die Lasten zwar direkt, aber als Zugkräfte einwirken.

Bei den verschiedenen Beispielen wird im Bild auch gezeigt, wie der Neigungswinkel der Druckstrebe näherungsweise bestimmt werden kann. Die ideelle Bügelkraft, welche den angreifenden Lasten entspricht, ist jeweils auf die korrespondierende Breite eines Fachwerkfeldes zu verteilen.

$$Z_i = \frac{P}{z \operatorname{ctg} \alpha}.$$

Z_i kann sowohl Querbewehrung ersetzen (Vorzeichen +) als auch zusätzliche Querbewehrung erforderlich machen. Die angegebene Formel kann näherungsweise für alle in Fig. 6 gezeigten Arten der Lasteintragung verwendet werden. Für Gleichlasten, die von oben auf den Balken einwirken, setzt man $Z_i = +q$, wenn die Gleichlast angehängt wird $Z_i = -q$.

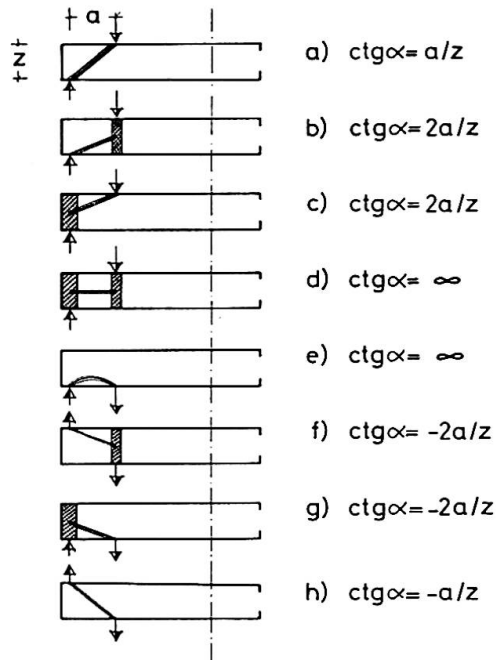


Fig. 6.

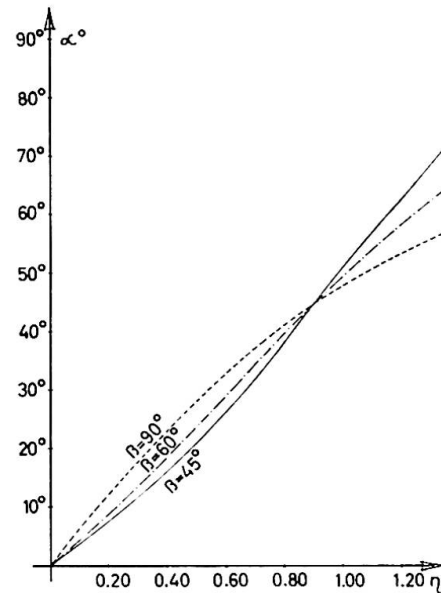


Fig. 7.

10. Der Deckungsgrad der Querkraft

In den vorausgegangenen beiden Abschnitten wurde gezeigt, in welcher Weise die Neigung der Druckstreben von der Stärke der Querbewehrung und der Art der Lasteintragung abhängt. Um diesen Zusammenhang anschaulich darzustellen, erweist es sich als zweckmäßig, einen neuen Parameter einzuführen. Das Verhältnis zwischen der vorhandenen Querbewehrung und dem nach der MÖRSCHSchen Fachwerkstheorie berechneten Wert soll im folgenden als «Deckungsgrad der Querkraft» bezeichnet werden.

$$\eta = \left[\frac{n}{a} F_{e1} (\sin \beta + \cos \beta) \sigma_e + Z_i \right] : \frac{Q}{z}.$$

In dieser Formel ist n die Zahl der im gleichen Schnitt wirkenden Bügel ($\beta = 90^\circ$) oder Schrägstäbe ($\beta = 45^\circ - 60^\circ$) und a ihr in Richtung der Balkenachse gemessener Abstand; F_{e1} ist der Querschnitt eines Stabes.

Zwischen dem Deckungsgrad η und der Neigung α der Druckstreben besteht bei einem idealisierten Bügelfachwerk unter Vernachlässigung von Z_i die Beziehung

$$\eta \approx \text{tg } \alpha.$$

In Wirklichkeit haben aber die Gurtungen endliche Abmessungen. In [13] wurde gezeigt, welche Abweichungen dann auftreten. Für die Ableitung der zugehörigen Formeln wurde von der Fachwerkanalogie nur die Vorstellung übernommen, daß die Druckstreben parallel zu einem vereinfachend als geradlinig angenommenen Schrägriß verlaufen. Im übrigen erfolgte die Ableitung für ein Balkenelement, wobei die Verdübelungswirkung der Längsstäbe vernachlässigt wurde, das sie ohne eine Mitwirkung des Betons auf Zug nicht möglich ist. Auch der von der Biegedruckzone im Zusammenhang mit der Biegebeanspruchung der Zähne des Kammes (Rahmentragwerk) aufnehmbare Anteil der Querkraft blieb zur Vereinfachung unberücksichtigt. Diese Annahme kommt der Wirklichkeit um so näher, je schlanker und biegeweicher die Zähne sind.

Die so erhaltenen Formeln wurden in Fig. 7 für mittlere Verhältnisse ausgewertet, um anschaulich zu machen, in welchem Maße die Neigung α der Druckstreben sowohl von dem Deckungsgrad η der Querkraft als auch von der Neigung β der Querbewehrung abhängt.

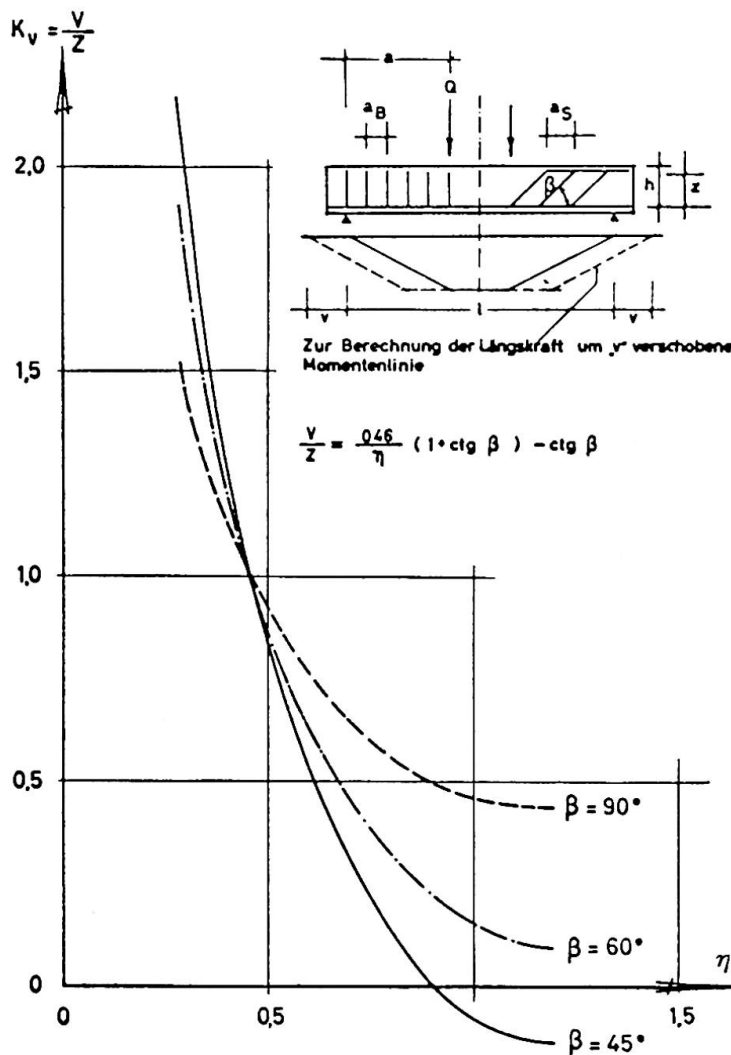


Fig. 8.

11. Das Verschiebemaß der Zugkraftlinie der Längsbewehrung

In [13] wurden auch Formeln für die Bestimmung des Verschiebemaßes v aus den Gleichgewichtsbedingungen abgeleitet. Sie gelten unter der Annahme einer gut verteilten Querbewehrung. Fig. 8 zeigt für mittlere Verhältnisse die Abhängigkeit des Koeffizienten $k_v = v/z$ (v = Verschiebemaß, z = Hebelarm der inneren Kräfte) von dem Deckungsgrad η und der Neigung β der Querbewehrung.

Führt man die Querbewehrung schwächer aus als der MÖRSCHSchen Formel entspricht, entstehen flacher als 45° geneigte Druckstreben, die dazu führen, daß die Zugkraftlinie der Längsbewehrung langsamer als affin zur Momentenlinie abnimmt. Die Folge ist eine stärkere Beanspruchung der Verankerung dieser Bewehrung. Auf diesem Wege lernt man verstehen, wie MÖRSCH zu seiner Forderung kam, immer volle Deckung der Querkraft (also unter 45° geneigte Druckstreben) zu verlangen. Die von ihm bei verringerter Querbewehrung beobachteten «Schubbrüche» waren in Wirklichkeit auf eine Überbeanspruchung der als Endverankerung dienenden Haken zurückzuführen. Wenn die Querbewehrung verstärkt wurde, blieb der «Schubbruch» aus. In Wirklichkeit hat aber diese Verstärkung den Verankerungsbruch verhindert, weil für ein größeres η das Verschiebemaß v kleiner ist. Der Verankerungsbruch hätte ebenso wirksam durch eine bessere Aufteilung der Längsbewehrung oder Verwendung von Stählen mit größerer Haftfestigkeit verhindert werden können. Solche Stähle standen aber MÖRSCH noch nicht zur Verfügung.

12. Der Verankerungsbruch

Um einen Verankerungsbruch zu verhindern, müssen am Auflager genügend Stäbe mit ausreichender Verankerungslänge enden. Am Endauflager eines Balkens beträgt die zu verankernde Kraft

$$Z_0 = Q v/z = k_v Q.$$

Um sie aufzunehmen, muß die Bewehrung um die Länge l_v über das Auflager hinweggeführt werden (n = Zahl der Stäbe, ϕ = Stabdicke, τ_1 = Haftfestigkeit).

$$l_v = \frac{k_v Q}{\tau_1 n \phi \pi}.$$

Daß diese Bedingung nicht immer erfüllt ist, soll an einem Beispiel gezeigt werden.

Ein freiaufliegender Plattenbalken von 60 cm Höhe ist mit 6 Längsstäben ϕ 26 bewehrt. Der Deckungsgrad der Querkraft betrage $\eta = 0,7$, wobei 2 Stäbe aufgebogen wurden. Die Auflagerkraft sei $Q = 26$ t. Nach Fig. 8 ist für ge-

mischte Querbewehrung $k_r = 0,60$. Für Rippenstahl und Betongüte 300 ist $\tau_{1max} = 20 \text{ kp/cm}^2$.

Damit wird:
$$l_v = \frac{0,6 \cdot 26000}{20 \cdot 4 \cdot 1,6 \pi} = 24 \text{ cm}.$$

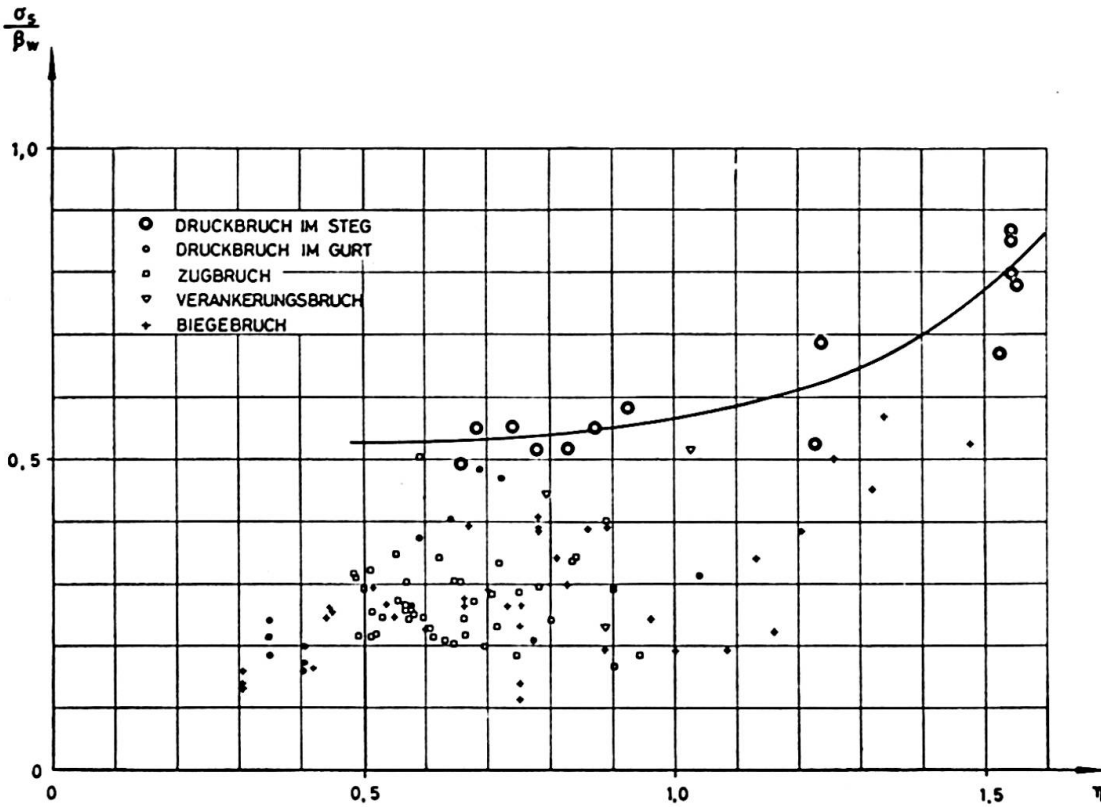


Fig. 9.

Eine so große Überlänge ist am Balkenende meist nicht ohne Abbiegung der Längsbewehrung unterzubringen. Man wird deshalb meist nur dann mit veringertem Deckung der Querkraft arbeiten, wenn alle Stäbe bis zum Auflager durchgeführt werden können. Dann ist für reine Bügelbewehrung $k_r = 0,70$ und

$$l_v = \frac{0,7 \cdot 26000}{20 \cdot 6 \cdot 2,6 \pi} = 18 \text{ cm}.$$

Man kann aber eine ähnliche Verkürzung der Verankerungslänge durch eine Verstärkung der Bügelbewehrung erreichen. Mit $\eta = 1,0$ und einem näher an 90° liegenden mittleren β -Wert wird $k_r = 0,4$ und

$$l_v = \frac{0,4 \cdot 26000}{20 \cdot 4 \cdot 2,6 \pi} = 16 \text{ cm}.$$

13. Der Stegbruch

Nach der vorgeschlagenen Erweiterung der MÖRSCHschen Fachwerktheorie muß die Querkraft bei abnehmender Querbewehrung durch immer flacher werdende Druckstreben getragen werden. Damit wachsen die schrägen Druckspannungen und es entsteht die Gefahr eines Druckbruches im Steg. Ein solcher Bruch ist natürlich nur in den dünnen Stegen eines Plattenbalkens zu erwarten.

Es bietet sich hier eine interessante Möglichkeit, die aufgestellten Hypothesen zu überprüfen, indem man die der Fachwerkanalogie zugeordneten Druckspannungen berechnet. Entsprechende Formeln werden in [13] abgeleitet. Hier soll in Fig. 9 nur das Ergebnis einer Nachrechnung der zur Verfügung stehenden Versuchswerte wiedergegeben werden.

Die Figur zeigt für eine große Zahl von Versuchen die berechneten Stegspannungen. Die zu einem Stegbruch führenden Fälle wurden besonders gekennzeichnet. Es ist unverkennbar, daß die natürlich nur als eine Näherung aufzufassende erweiterte Fachwerkanalogie eine Beurteilung dieser Bruchgefahr erlaubt. Daß die Spannungen für normale η -Werte nur etwa 55% der Würfelfestigkeit betragen, weist darauf hin, daß in den Zähnen gleichzeitig spürbare Biegespannungen wirken. Mit wachsendem Deckungsgrad der Querkraft nahm die mittlere Druckspannung zu. Auch dies ist verständlich, weil in diesem Bereich die Strebenkraft so klein wird, daß ein Durchbruch nur bei außergewöhnlich dünnen Stegen möglich ist. Die starke Bewehrung führt dann zu einer sehr engen Zahnteilung. Weil schlanke Zähne keine nennenswerten Biegespannungen erhalten, ist eine höhere Ausnutzung durch die Strebenkraft möglich.

14. Die Grenzen der Anwendbarkeit der erweiterten Fachwerkanalogie

Die erweiterte Fachwerkanalogie erfüllt nur die Gleichgewichtsbedingung. Die Vernachlässigung der Verträglichkeitsbedingung hat zur Folge, daß die Grenzen der Anwendbarkeit an Hand von Versuchsergebnissen definiert werden müssen.

MÖRSCH hat eine Begrenzung mit Hilfe maximaler Schubspannungswerte $\tau_0 = Q/Z$ vorgenommen. Nach dem Vorstehenden erscheint es aber sinnvoller und auch einfacher, die bezogene Querkraft $q = Q/bh\beta_w$ auszuwählen. Die Höhe des zulässigen Wertes hängt eindeutig von dem Deckungsgrad der Querkraft ab. Der Wert $q = \eta/8$ wurde bei den Versuchen nie unterschritten. Bei zweifacher Sicherheit könnte man etwa $q = \eta/16$ als obere Grenze wählen.

Wie im Gebiet der reinen Biegung muß man auch im Querkraftbereich die Ausnutzung so begrenzen, daß keine unzulässig breiten Risse entstehen. Der vorstehende Vorschlag entspricht annähernd auch dieser Bedingung.

Die Frage der Begrenzung von q bedarf aber noch eines genauen Studiums, das noch nicht abgeschlossen wurde.

15. Die Versuche als Grundlage von sogenannten Schubtheorien

In den letzten Jahren wurde die Versuchsgrundlage sehr stark erweitert. Dies muß nicht unbedingt von Vorteil sein. Eine Gefahr entsteht vor allem dann, wenn man, wie es verschiedentlich geschehen ist, allein auf den Versuchsergebnissen eine Bemessungsgrundlage aufbauen will.

Es wird leider viel zu oft übersehen, wie begrenzt die Aussagekraft von Versuchen ist. Die Versuchsbalken werden in Laboratorien unter besonders günstigen Bedingungen und unter Anwendung einer ungewöhnlichen Sorgfalt hergestellt. Sie werden dann in konditionierten Räumen vor ungünstigen klimatischen Einflüssen geschützt und zu gegebener Zeit so vorsichtig wie möglich belastet. Es ist fast schon als ein Akt der Undankbarkeit anzusehen, wenn der Balken dann doch noch bricht.

Auf diesem Wege bekommt man kein treues Abbild der in der Praxis herrschenden Verhältnisse. Dort werden die Balken mit einer geringeren Sorgfalt hergestellt und weisen gelegentlich auch Fehlstellen auf, z. B. als Folge einer Mittagspause, welche das Betonieren unterbrach. Sie bleiben dann vielerlei Witterungseinflüssen ausgesetzt, die erhebliche Eigenspannungen hinterlassen. Was aber am wichtigsten ist, sie werden zum Schluß nicht nur einmal und kurzfristig belastet. Ein Teil der Lasten wirkt dauernd ein, der Rest ist Wechsellast. Es kann kein Zweifel bestehen, daß unter diesen Umständen im Laufe der Zeit die vom Beton aufgenommenen Zugspannungen mehr und mehr abgebaut werden.

Der Versuchsbalken unterscheidet sich also von dem Konstruktionsglied eines Bauwerkes fast ebenso sehr wie eine Treibhausorchidee von einer Wiesenblume. Man sollte diesen Unterschied nicht außer acht lassen, wenn man Versuchsergebnisse zur Begründung einer Theorie heranzieht. Sowohl die Verdübelungskräfte der Längsbewehrung als auch die vom Kammrücken getragenen Querkraftanteile verdanken ihre Existenz nur der Mitwirkung des Betons auf Zug, die dank der sorgfältigen Behandlung bei den Versuchsbalken gesichert ist. Sie bei der Bemessung voll zu berücksichtigen, kommt aber einem Verstoß gegen das wichtigste Grundgesetz der Stahlbetonbauweise gleich.

Wir dürfen also die Versuche nur dazu benützen, das innere Kräftespiel zu studieren. Es ist eine völlig andere Aufgabe, auf der so gewonnenen Erkenntnis eine Bemessungstheorie aufzubauen, welche den Grundlagen der Stahlbetonbauweise voll entspricht. Erst aus dieser Sicht wird die Erweiterung der Fachwerkanalogie sinnvoll. Auch die Entwicklung eines elektronischen Rechenprogrammes kann zusätzliches Interesse aus der Möglichkeit gewinnen, das Kräftespiel eines Balkens zu simulieren, dessen Beton keine Zugspannungen aufnehmen kann.

Literaturzusammenstellung

1. RITTER, W.: Die Bauweise Hennebique. Schweizerische Bauzeitung, V. 33, Nr. 7, Febr. 1899. Seite 59—61.
2. MÖRSCH, E.: Der Eisenbeton. Seine Theorie und Anwendung. Verlag K. Wittwer, Stuttgart 1908.
3. KUPFER, H.: Erweiterung der Mörschschen Fachwerkanalogie mit Hilfe des Prinzips vom Minimum der Formänderungsarbeit. Comité Européen du Béton, Bulletin d'Information No. 40 Januar 1964, Paris.
4. BAKER, A. L. L. und AHMAD, A.: A statically indeterminate truss model for reinforced concrete beams failing by shear. Comité Européen du Béton, Bulletin d'Information No. 40, Januar 1964, Paris.
5. AHMAD, A.: A statically indeterminate truss mechanism for reinforced concrete beams failing by shear. Dissertation, University of London.
6. KANI, G. N. J.: The riddle of shear failure and its solution. ACI Journal, Proc. Vol. 61, No. 4, April 1964.
7. PAEZ, A.: Los Esfuerzos Cortantes y Flexion en el Hormigon Armado. Instituto Técnico de la Construcción y del Cemento, Madrid 1961, No. 212.
8. GURALNIK, S. A.: Shear strength of reinforced concrete beams. Proc. ASCE, Vol. 85 (1959), Paper 1909.
9. BRESLER, B. and PISTER, K. S.: Strength of concrete under combined stresses. ACI-Journal, V. 30, No. 3, Sept. 1958 (Proc. V 55), S. 321—345.
10. WALTHER, R. E.: The ultimate strength of prestressed and conventionally reinforced concrete under the combined action of moment and shear. Dissertation Lehigh University und Beton- und Stahlbetonbau, 57. Jahrg. Heft 11, Nov. 1962.
11. Comité Européen du Béton: Recommendations pratiques unifiés pour le calcul et l'exécution des ouvrages en béton armé.
12. American Concrete Institut: Building Code Requirements for Reinforced Concrete (ACI 318 - 63).
13. RÜSCH, H.: Über die Grenzen der Anwendbarkeit der Fachwerkanalogie bei der Berechnung der Schubfestigkeit von Stahlbetonbalken. Sonderdruck aus der Festschrift für Prof. Ing. F. Campus, Amici et Alumni, Université de Liège, 1964.

Zusammenfassung

Nach einigen grundsätzlichen Betrachtungen über die Begriffe «Schubspannung» und «Schubfestigkeit» wird der im Querkraftbereich eines schlanken Balkens auftretende Spannungszustand beschrieben und eine Möglichkeit gezeigt, das hochgradig statisch unbestimmte System der inneren Kräfte mit Hilfe eines elektronischen Rechenprogrammes zu lösen. Für die täglichen Aufgaben der Praxis wird aber ein einfaches Näherungsverfahren benötigt. Es wird gezeigt, daß hierzu die Weiterentwicklung der Fachwerkanalogie besonders geeignet ist. Es ist nur nötig, die starre Bindung an 45° geneigte Druckstreben aufzugeben und die Kopplung der durch die Längs- und Querbewehrung aufzunehmenden Kräfte nachzuweisen. Das Bemessungsverfahren bietet die Gewähr, daß das Gleichgewicht ohne Mitwirkung des Betons auf

Zug gesichert ist. Im Gegensatz dazu beruht die bei den üblichen Versuchsbalken erzielte Tragfähigkeit oft zu einem wesentlichen Teil auf dieser Mitwirkung.

Summary

After some basic considerations regarding the terms "shear stress" and "shear strength", the state of stress occurring in the shear region of a slender beam subjected to flexural loads is described. A method is indicated, which allows the solution of the highly statically-indeterminate system of internal forces by means of electronic computers. However, for day-to-day-problems arising in practice, a simpler approximate solution has to be found. It is shown that a further development of the truss analogy is particularly suitable for this purpose. It is merely necessary to abandon the conception of the 45 degree inclination of the compression struts and to determine the forces which will be sustained by the longitudinal and transverse reinforcement. This design method ensures that the conditions of equilibrium are fulfilled without taking into consideration the tensile stresses to which the concrete is subjected. In contrast to this, the load-carrying capacity as determined in the usual beam tests is based, to a considerable extent, upon the presence of tensile stresses in the concrete.

Résumé

Après avoir exposé quelques considérations fondamentales relatives aux termes «contrainte de cisaillement» et «résistance à l'effort tranchant», l'auteur décrit le régime de contraintes auquel est soumise une poutre élancée dans la région où s'exerce un effort tranchant. De plus, il montre comment on peut résoudre, à l'aide d'un programme de calcul électronique, le système hautement hyperstatique des sollicitations internes. Pour les besoins de la pratique, on doit toutefois disposer d'un procédé approximatif simple, ce que permet au mieux une extension de la méthode du treillis. Il faut seulement abandonner l'hypothèse de bielles inclinées à 45° et considérer la dépendance mutuelle des efforts agissant dans les armatures longitudinale et transversale. De cette façon, l'équilibre est assuré sans contraintes de traction dans le béton. Par contre, la résistance observée lors d'essais sur des poutres repose souvent pour une part essentielle sur la collaboration du béton tendu.

Leere Seite
Blank page
Page vide

IV a 4

A Theory for the Combined Action of Bending Moment and Shear in Reinforced and Prestressed Concrete Beams

Short review of a treatise by Dr. MOGENS LORENTSEN¹⁾

Théorie sur l'action combinée de la flexion et du cisaillement dans les poutres en béton armé et en béton précontraint

Theorie über das Zusammenwirken von Biegung und Schub in armierten und in vorgespannten Betonträgern

GEORG WÄSTLUND

Professor, head of the institution

This is a short review of a doctor thesis by MOGENS LORENTSEN: "Shear and bond in prestressed concrete beams without shear reinforcement." LORENTSEN's full paper is rather comprehensive. It contains among other things test results from 30 beams, all without shear reinforcement but of various design as to the shape of cross section, some are reinforced and other prestressed, some with bond and others without bond.

The paper further gives a conception of the mechanism of shear failure and also the bases for computation of the critical shear force. The theory has a great advantage in that it is applicable to ordinary reinforced concrete as well as to prestressed concrete.

LORENTSEN has applied his theory to test results published by earlier authors as well as to test results of his own. The agreement is satisfactory.

His formulas are to some extent similar to those given in the new American Building Code Requirements. It is interesting that LORENTSEN's formulas are based on a conception of the mechanism of failure, whereas the American ones are more empirical. In the following some main points of the theory are given.

Fig. 1 shows in principle a reinforced beam with bond between reinforcement and concrete. The beam is supposed to go to fail in shear. The figure shows the approximative distribution of the tension force just before what LORENTSEN calls "the critical shear cracking". As seen, here the tension force in the reinforcement drops abruptly to a low value in the uncracked part of the beam. That will mean very high bond stresses on a short length, denoted c in the figure.

¹⁾ Institution for bridge building and structural engineering at the Royal institute of technology, Stockholm.

LORENTSEN has simulated this case in an exaggerated manner in a test beam, see Fig. 2. That is a T-beam with only one reinforcement bar. There is no bond between bar and concrete, but anchorages at both ends and at two intermediate points. The intermediate anchorages correspond to very con-

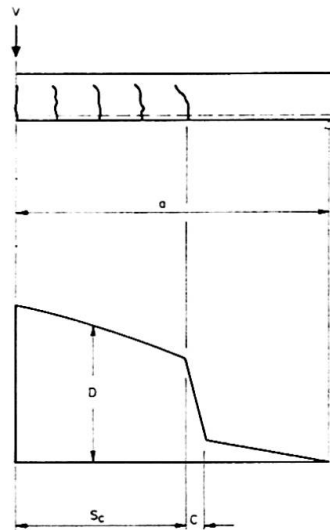


Fig. 1. Approximative distribution of tension force D in the reinforcement bar.

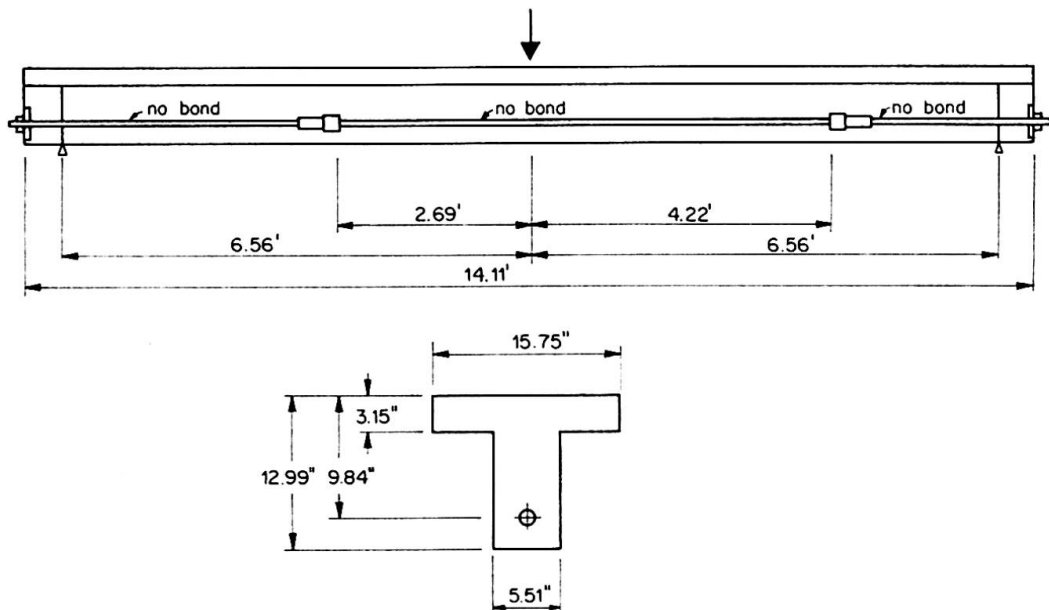


Fig. 2. Test beams with intermediate anchorages.

centrated bond forces in a cracked reinforced beam with the anchorages placed just at the outermost bending cracks.

Fig. 3 shows the behaviour at failure of that beam. First came bending cracks, one in the middle and two at the intermediate anchorages. At further loadings those outermost bending cracks were extended, in the compressed zone near horizontally in the direction towards the load, in the tensile zone

horizontally towards the supports causing splitting of the concrete. The lower part of the figure shows the measured strain distribution in the bar.

In an ordinary reinforced beam the mechanism of failure has been found to be quite similar. Fig. 4 shows such a T-beam, like that in Fig. 2, but now

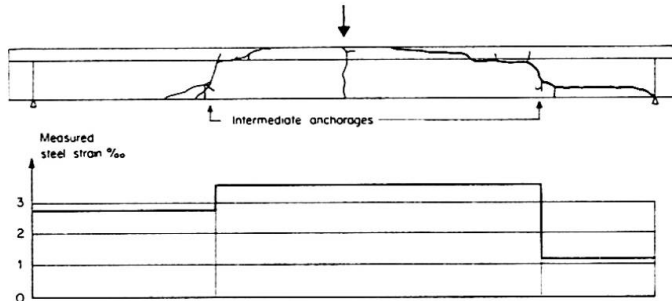


Fig. 3. Failure of a beam, shown in Fig. 2.

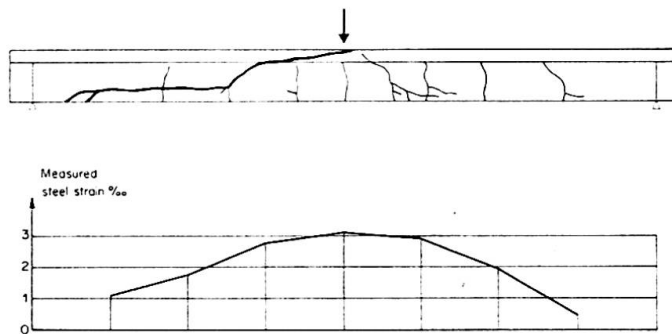


Fig. 4. Failure of a beam with normal bond.

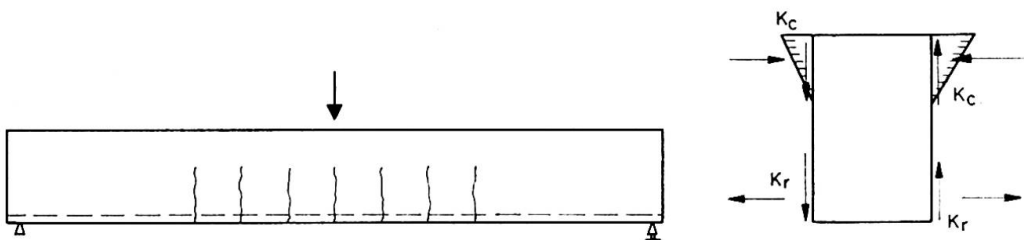


Fig. 5. Shear forces in a beam with pure beam action.

with normal bond before cracking all along the bar. The beam was tested in the same manner, first the bending cracks appeared. One of the outermost cracks then bent near horizontally proceeding further on both in the upper and lower parts of the beam.

LORENTSEN gives the following conception of the mechanism of failure. Fig. 5 shows schematically how a beam gets bending cracks and how the shear in this state is carried by a "crack lamella". This state represents a pure beam action. The shear force then is composed of two components K_c and K_r . K_c is a component, carried by the uncracked concrete zone, and K_r is a compo-

ment, carried by the reinforcement bar due to its dowel effect. Similar thoughts have recently been published by KANI²⁾.

The beam action is supposed to be complete up to the stage, when the shear force attains the so called lamella strength. When the shear force exceeds the strength of the lamella, the load will be carried by a combined beam and arch action. Fig. 6 shows this case, with forces here acting on a very short

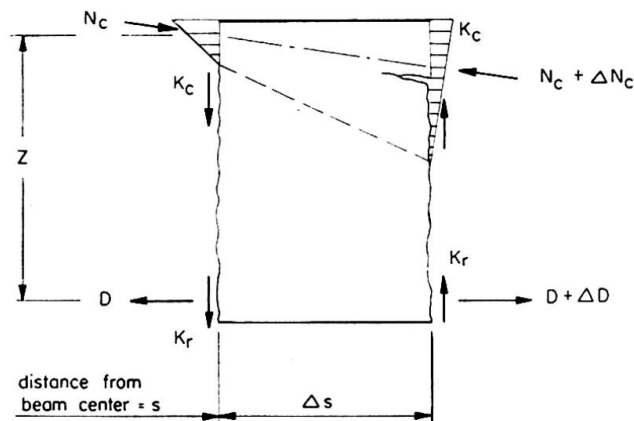


Fig. 6. Shear forces in a beam with combined beam and arch action.

lamella. The pluses are of pure nominal kind and can in reality be minus. The arch action is represented by the slope of the compression forces. The maximal shear then will be composed of three forces, K_c and K_r , as before, and in addition the vertical component of N_c .

The mechanism of the shear failure is now assumed to be as follows. The bending crack in the "section of critical shear" is considered. In the figure this crack is represented by the right hand side of the lamella. The force K_c will have its maximal value, when the *vertical* tensile stress in the lamella initiates a near horizontal crack in the lamella. This crack will then proceed further on in the beam in the direction towards the load.

As soon as this crack will start to open, the dowel effect of the reinforcement will come to action. When the dowel effect is fully utilized and reaches its maximal value K_r , the bar will split the concrete along the bar in the direction towards the support.

Simultaneously as the bond diminishes the arch action will start, which is marked on Fig. 6 through sloping compression forces N_c .

LORENTSEN has deduced a value of K_c corresponding to the creation of a horizontal tensile crack in the lamella, the deduction made in accordance with the theory of elasticity, see Fig. 7. In this case the lamella was divided

²⁾ G. N. J. KANI: "The Riddle of Shear Failure and its Solution", Journal of ACI, April 1964.

in elements, and for the numerical calculations a computing machine was used. The right part of the figure shows the calculated vertical tensile stresses (relative values) in three horizontal sections. The lamella concrete strength K_c also was studied by testing rectangular concrete elements, simulating the lamellas.

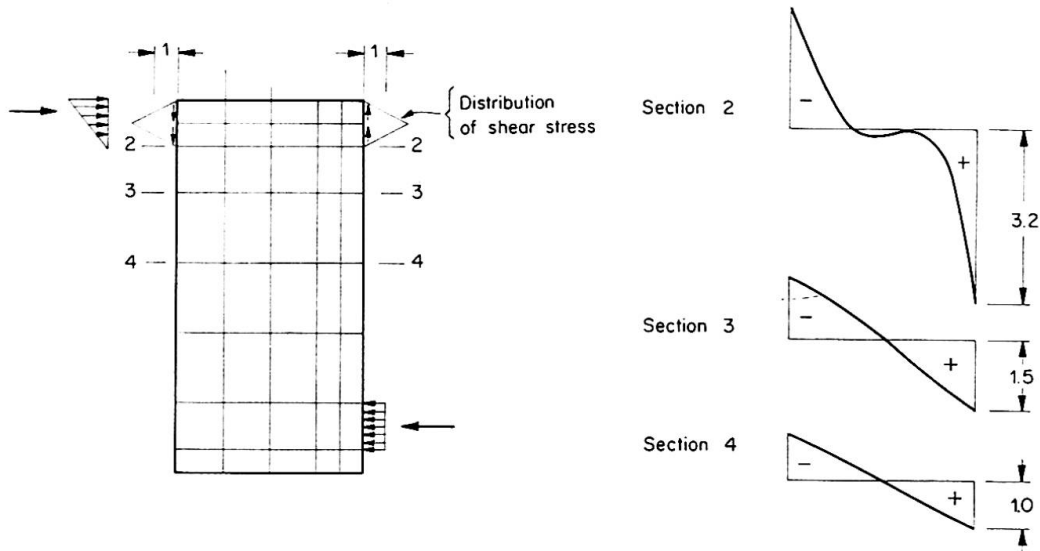


Fig. 7. Calculated vertical tensile stresses (relative values) in three horizontal sections of a lamella, the stresses caused by the shear force K_c in the compressed zone.

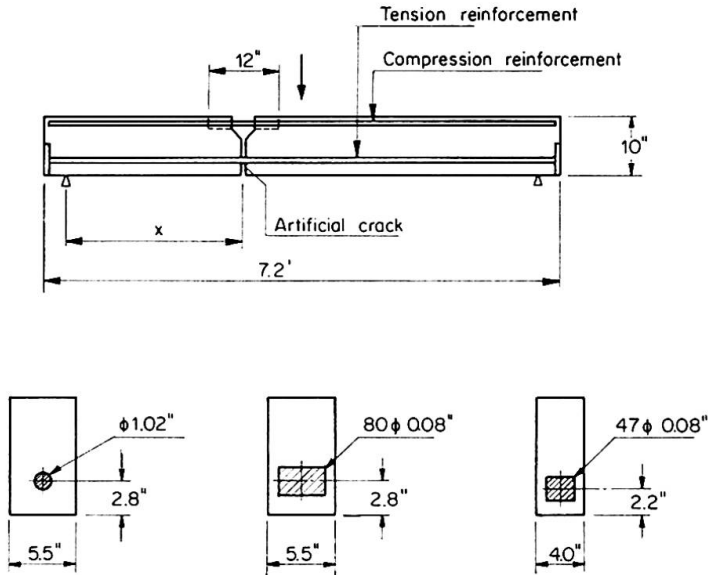


Fig. 8. Test beams for the study of dowel effect.

LORENTSEN also to some extent studied the value of K_r , the dowel effect, partly through own tests, partly through evaluating tests by other authors. Fig. 8 shows his test beams. The beams had an artificial crack, where the shear mainly was transferred through the dowel effect. Different tension reinforcement was used.

In order that the expressions might be comparable with the American formula the expressions are given in English units.

LORENTSEN found the following expressions

$$K_c = 2.3 b k d \sqrt{f'_c},$$

$$K_r = 0.95 b H \sqrt{f'_c},$$

$$K = K_c + K_r \text{ "lamella strength",}$$

where d and H are shown in Fig. 9,

f'_c = prism strength,

$k \cong \sqrt{np}$,

$n = E_r/E_c$ relation between elastic moduli,

p = percentage of reinforcement.

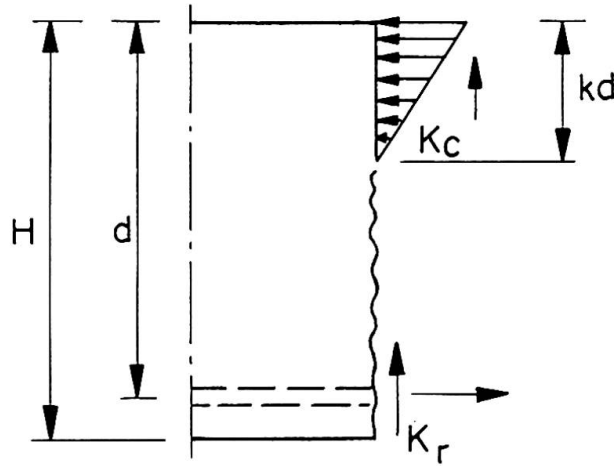
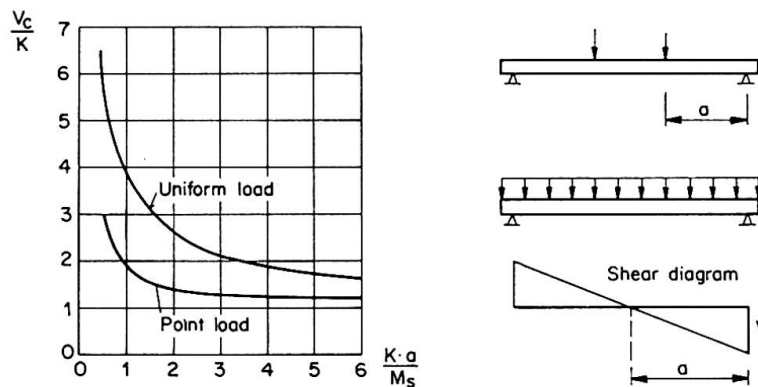


Fig. 9. Notations.

Critical shear strength V_c

$$V_c = K \cdot \phi \left(\frac{K \cdot a}{M_s} \right) = \gamma \cdot K > K$$



M_s = Moment giving bending crack, prestressing taken into account.

Fig. 10. Magnification factor γ due to combined beam and arch action.

The value of K represents the main part of the critical shear force. Fig. 10 gives the value, if in addition to K the arch action is taken into account. A magnification factor γ is introduced, which is dependant on the parameter $K a/M_s$, where M_s is the moment giving bending cracks in the beam, in case there is prestressing also this taken into account. The γ -value is given in diagram, Fig. 10 for beams with uniform load and with point loads. It is seen that uniform load is more favorable. Favorable is also a short shear span a and a high value of M_s , crack moment, all in accordance with known facts. The same formulas thus are given for both ordinary reinforced concrete and prestressed concrete. For use in practice some further development might be necessary.

Summary

The paper comprises a short review of a doctor thesis by MOGENS LORENTSEN, giving a conception of the mechanism of shear failure in reinforced and prestressed concrete beams without shear reinforcement. This conception also gives the bases for computation of the critical shear force, as shown.

Résumé

L'auteur donne un court aperçu de la thèse de MOGENS LORENTSEN, thèse qui traite le mécanisme de la rupture par cisaillement dans les poutres en béton armé et en béton précontraint, sans armatures de cisaillement. Ce travail donne aussi les bases pour le calcul de l'effort de cisaillement critique.

Zusammenfassung

Dieser Beitrag enthält eine kurze Übersicht über die Doktorarbeit von MOGENS LORENTSEN, welche den Schubbruchmechanismus in armierten und in vorgespannten Betonträgern ohne Schubarmierung behandelt. Diese Arbeit gibt auch die Grundlagen für die Berechnung der kritischen Schubkraft.

Leere Seite
Blank page
Page vide

IV a 5

Supplement - Complément - Ergänzung

Shear Strength of Continuous Reinforced and Prestressed Concrete Beams¹⁾

Résistance au cisaillement des poutres continues en béton armé et précontraint

Die Schubfestigkeit kontinuierlicher Stahlbeton- und vorgespannter Balken

A. M. NEVILLE

D. Sc. (Eng.), Ph. D., Professor and Dean, Calgary, Alberta, Canada

Since the paper was written, further tests have been made in order to expand the scope of the investigation to beams with deformed bar reinforcement. Such reinforcement is extensively used in many parts of the world, and an understanding of the behaviour of beams with steel of high bond characteristics is of considerable importance. We are thus now able to compare the behaviour of beams with deformed and plain round reinforcements and also to review the effectiveness of orthogonal web reinforcement when the main reinforcement is deformed.

Briefly, the results of our tests are as follows, the beams being of the same proportions as shown in fig. 2 of the paper.

The use of deformed bars increases the ultimate strength of the beam in shear by about 10% when stirrups only are used and by 20% when orthogonal web reinforcement is provided. This improvement is due to the better bond characteristics of the deformed bars, as is proved by the fact that when two $\frac{5}{8}$ " \varnothing bars were used instead of one 1" \varnothing bar (both in tension and in compression) the ultimate strength in shear increased by 15% even though the main steel area was smaller; only stirrups were provided in the two types of beams being compared. The influence of bond characteristics of the main tension reinforcement on the shear resistance of a beam is important, not only because, once again, it highlights the inter-relation between shear and bending moment in the design of beams, but also because it should make us think carefully about transferring experience on shear with reinforced concrete to prestressed concrete where the bond behaviour is not the same.

Now, referring to prestressing beams, we should recall a diagram in the paper (fig. 6) showing that the plastic moment over the centre support depends on the transformation of the tendon *only* and is not influenced by the applied shear. We did some further tests in which the prestressing wire over the centre

¹⁾ See "Preliminary Publication" — voir «Publication Préliminaire» — siehe «Vorbericht», IV a 3, p. 787.

support was ground to different thicknesses so that the plastic moment at that section varied. In each case the shear capacity of the beam was unaffected. This again indicates that there is no real shear-moment interaction.

As regards beams with orthogonal web reinforcement, we found that, as in the case of beams with plain round reinforcement, the addition of horizontal web steel improves the load-carrying capacity of beams when high strength concrete is used (say over 4000 psi measured on cylinders). With lower strength concrete, the provision of orthogonal reinforcement is hardly beneficial. In other words, if diagonal cracking occurs early and the deformation of concrete is large relative to the tensile stress in it, the horizontal web reinforcement is of little help. But if the steel is stressed with the concrete, it carries the horizontal component of the diagonal tension and continues to do so up to failure.

Now I would like to mention one practical application of orthogonal web reinforcement. It has been used in joists and also in some beams in a number of buildings designed by the Department of Public Works of the Province of Alberta in Canada — a government department, and therefore, one might suspect, not an unduly progressive organization. The web reinforcement is in the form of a welded wire mesh, and is therefore extremely easy to place. The mesh carries $\frac{1}{3}$ of the shear, bent-up bars resisting the remainder. Pictures of the reinforcement are shown in the photographs of Fig. A.

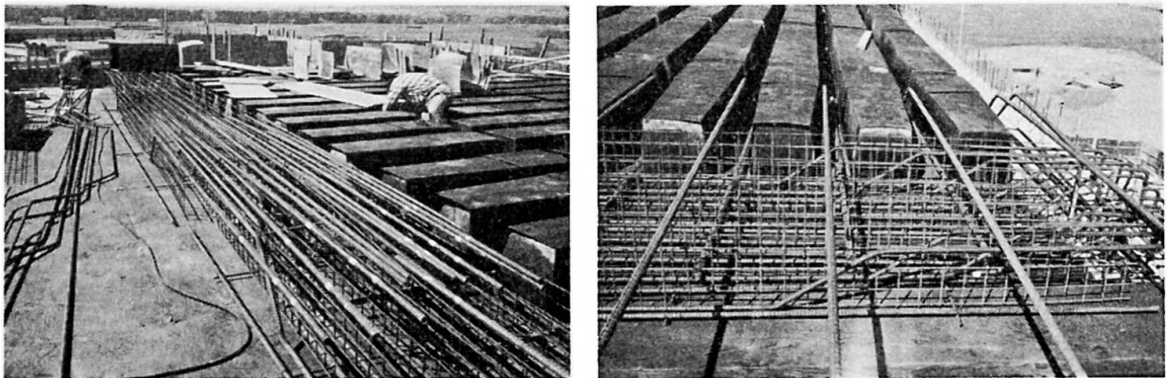


Figure A.

Without bent-up bars we would of course have the disadvantage of lack of support to the main reinforcement. In such a case I would, therefore, prefer, at least in large beams, to use a wire fabric bent into a troughlike shape which would thus provide both orthogonal reinforcement and a good support to the main reinforcement: as a result, splitting along the tension steel would be restrained and the integrity of the beam would be preserved up to a very advanced stage of overload. The same result would of course be achieved by welding the mesh to the main tension steel.

We have said that a high strength of concrete is essential for the orthogonal web reinforcement to make a good contribution to the load-carrying capacity

of the beam. But with vertical stirrups only, the concrete strength (within the range of 3000 to 5000 psi determined on cylinders) does not appear significantly to improve the load-carrying capacity of beams with deformed reinforcement; we showed this to be the case with plain steel in tests reported in 1960 ²).

The observed results were compared with the requirements of the new (1963) revision of the Building Code 318 of the American Concrete Institute. The diagonal cracking load of the beams tested exceeded the limiting shearing stress given in the Code for beams with unreinforced webs by a factor averaging 2.8. The ϕ coefficient, which provides for a chance undercapacity, was of course ignored.

One further point concerns the actual stress in concrete at diagonal tension cracking. We found an extremely good agreement between this stress and the splitting strength of concrete — the Brazilian test. The square root of the compressive cylinder strength gives equally good agreement: for our range of strengths the stress at diagonal tension cracking was $6.3 \sqrt{f'_c}$. By comparison, the A.C.I. Code limits the stress in *any* beam without web reinforcement to $3.5 \sqrt{f'_c}$.

The actual ultimate capacity in shear also exceeded that given in the Code by a factor of 1.55, again because the contribution of concrete up to cracking is underestimated by the Code. This excess strength is comparable to that found in 1963 by BRESLER and SCORDELIS³) in simple span beams.

On the other hand, the sum of the observed cracking stress and the stress carried by the stirrups according to the truss analogy accorded very well with the observed values of the ultimate shear. The mean ratio of these two quantities was 1.10, the range being 1.08 to 1.12. (The highest values were obtained with orthogonal web reinforcement.) The overestimate is due to the fact that probably not all stirrups actually yielded. It seems thus that the truss analogy has perhaps more to commend it than we thought.

Summary

An extension of tests reported in the paper to beams with deformed bar reinforcement is reported. It is shown that while the requirements of the new A.C.I. Code are in many cases unduly conservative the truss analogy seems essentially valid. Further tests on beams with orthogonal web reinforcement are reported, and the use of this type of shear reinforcement in the form of welded wire mesh in actual buildings in Alberta is described.

²) J. TAUB and A. M. NEVILLE: "Resistance to Shear of Reinforced Concrete Beams". J. of American Concrete Institute, August 1960, Proc. V. 57, pp. 193—220.

³) B. BRESLER and A. C. SCORDELIS: "Shear Strength of Reinforced Concrete Beams". J. of American Concrete Institute, January 1963, Proc. V. 60, pp. 51—74.

Résumé

Il est rendu compte de l'extension, au cas des poutres comportant des armatures à empreintes, des essais qui ont été décrits dans le mémoire original. Si les spécifications du nouveau Code A.C.I. apparaissent exagérément prudentes en de nombreux cas, il est également montré que l'analogie du treillis est tout à fait valable. On décrit de nouveaux essais exécutés sur des poutres comportant des armatures de cisaillement orthogonales ainsi que l'emploi de ce type particulier d'armature de cisaillement sous forme de grillage soudé qu'on utilise actuellement à Alberta.

Zusammenfassung

Als Ergänzung zum Vorbericht werden weitere Ergebnisse über das Verhalten von Stahlbetonträgern mit gerippten Armierungsstählen untersucht. Dabei zeigt sich, daß, obwohl die Forderungen des neuen A.C.I. Code in vielen Fällen zu konservativ sind, die Fachwerkanalogie in der Hauptsache als richtig angenommen werden kann. Weitere Versuche an orthogonal bewehrten Trägern werden beschrieben, sowie die besondere Anwendung von geschweißten Netzarmerungen als Schubbewehrung bei einigen Bauten in Alberta.

IVa6

Anchorage of Beam Reinforcement Shortened According to the Moment Distribution Curve

L'ancrage des armatures arrêtées en fonction de la courbe des moments

Verankerung der dem Momentenverlauf entsprechend abgestuften Armierung

A. LOSBERG

Prof. Dr. Techn., Chalmers University of Technology, Gothenburg, Sweden

1. Introduction

This paper studies the anchorage of beam reinforcement of deformed bars (corrugated Swedish reinforcement steel), when the reinforcement is cut off according to the moment distribution curve. The influence of shear cracks and web reinforcement on this anchorage has been taken into consideration.

When the reinforcement is cut off to cover the moment distribution curve, it is normally required that a cut-off bar should be fully anchored outside that beam section where the bar has to begin to act according to the moment curve. This is a case of anchorage where the stress in the through reinforcement must be transferred to the cut-off reinforcement by means of the surrounding concrete, and it is *not* directly comparable with the classical anchorage case studied through the traditional pull-out test. Furthermore, the traditional methods of treating problems concerning bond and anchorage are generally based on conditions valid for smooth bars, where the bond acts as a pure glue effect with a sudden bond failure at a fixed and relatively low ultimate strength value. The bond of deformed bars, however, depends largely on the direct contact pressure between the bar ridges and the surrounding concrete, and the bond is so good that in many cases the ultimate strength is not reached, and this is the case at the ends of a cut-off reinforcement bar. In such a case it is necessary to study in detail the stress transfer between concrete and reinforcement when the displacement between these components takes place.

For the study of this and analogous problems a hypothesis has been put forward by GRANHOLM, originally in his works about composite wooden constructions [1], where he assumes that there is pure proportionality between the bond stress τ_b and the corresponding displacement φ between the section parts

$$\tau_b = K \varphi, \quad (1)$$

where K is called *modulus of displacement*. Used for analysing the slip between concrete and reinforcement, this assumption can, of course, not be quite

correct, for the displacement actually takes place as a shear deformation in the concrete layer surrounding the reinforcement bars. Besides, the deformation in this layer will rapidly increase and become of non-elastic character. Thus the relation between bond stress and deformation will not be straight-lined, a fact which is also well-known from pull-out tests. Such tests of the type shown in fig. 1 have been made with a very short bond length, which will give a fairly level bond stress distribution, and the test results give a direct idea of the stress-displacement curve.

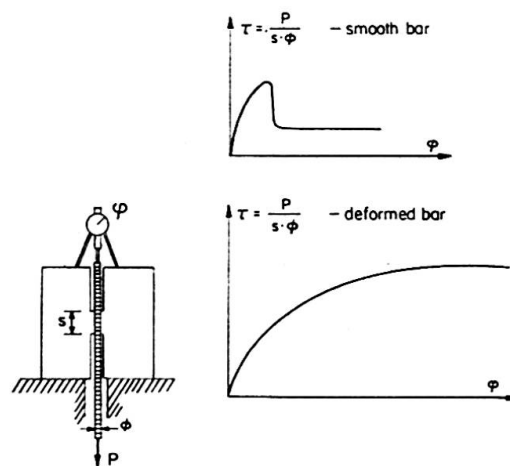


Fig. 1. Pull-out test specimen with short bond length and typical stress-deformation curves. The upper curve is valid for smooth bars, the lower one for deformed bars.

The investigation briefly presented here will show, through a comparison of test results and theoretical analysis based on the simple hypothesis above, that, in spite of its imperfection, this hypothesis can be used for treating bond and anchorage problems. The investigation is not yet finished.

2. Theoretical Treatment

Let us to begin with study a basic bond problem, the tensile test on a prism with through reinforcement as shown in fig. 2. This case is valid for instance for the analysis of crack formation [2].

The assumption (1) can be expressed in components of displacement ξ and η for steel and concrete respectively (see fig. 2)

$$\tau_b = K \varphi = K (\xi - \eta). \quad (2)$$

These components can also be used to express the strains ϵ_r and ϵ_c and the stresses σ_r and σ_c in the two materials

$$\epsilon_r = \frac{d\xi}{dx} = \frac{\sigma_r}{E_r}; \quad \epsilon_c = \frac{d\eta}{dx} = \frac{\sigma_c}{E_c}, \quad (3)$$

where Hooke's law is presupposed to apply and the shrinkage of concrete is left out of account. The connection between bond stress τ_b and normal stress σ_a gives as usual

$$\tau_b = \frac{A_r}{p} \frac{d\sigma_r}{dx} = \frac{\Phi}{4} \frac{d\sigma_r}{dx} \tag{4}$$

and the equilibrium condition gives

$$\sigma_r^0 A_r = \sigma_r A_r + \sigma_c A_c. \tag{5}$$

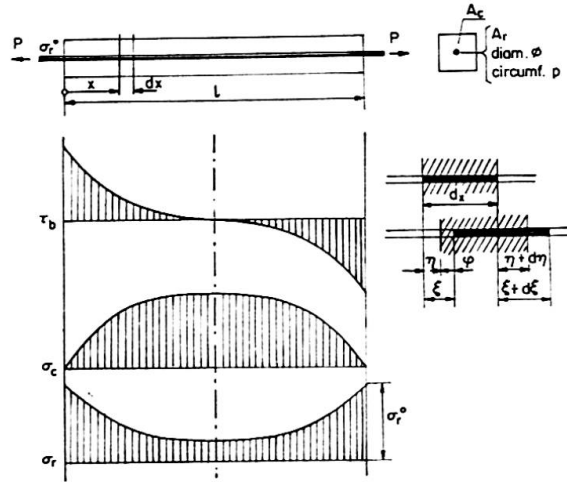


Fig. 2. Tensile prism with a through reinforcement bar, analysed according to the K -value theory. Typical stress distribution curves are given.

Combining the equations (2)–(5) we get the differential equation

$$\frac{d^2 \sigma_c}{dx^2} - \kappa^2 \sigma_c = -\kappa^2 \frac{\mu}{1+n\mu} \sigma_r^0 \tag{6}$$

with the notations

$$\kappa^2 = \frac{\Phi}{4} \frac{K}{E_r} (1+n\mu); \quad n = \frac{E_r}{E_c}; \quad \mu = \frac{A_r}{A_c}. \tag{6a}$$

The solution of this equation for the limit conditions here valid is

$$\sigma_c = \frac{\mu}{1+n\mu} \sigma_r^0 \left[1 - \frac{\cosh \kappa \left(\frac{l}{2} - x \right)}{\cosh \kappa \frac{l}{2}} \right] \tag{7}$$

$$\sigma_r = \sigma_r^0 - \frac{1}{\mu} \sigma_c$$

and the corresponding solution for τ_b from equation (4) (see fig. 2).

It may be pointed out that the same differential equation is valid for other cases of anchorage, e.g. the anchorage of the end of a reinforcement bar in a concrete prism. This case can be applied to the study of anchorage of reinforcement at the end of a beam.

A more complicated case directly related to the primary aim of this investigation is shown in fig. 3. Here the problem is to find how the stress is transferred from the through bars to the bars cut off between the ends of the prism. These ends can be said to represent cracks which arise in the neighbourhood of the cut-off bar ends in the tension zone of a beam. Between them there may be a more or less short-distanced crack formation. The concrete stress

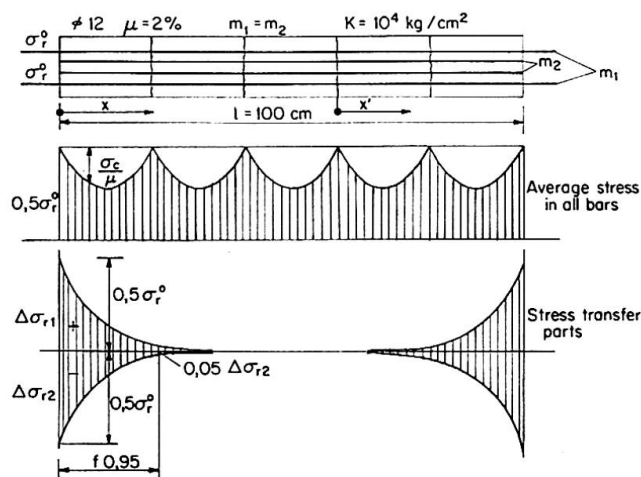


Fig. 3. Tensile prism with through bars (number m_1) and cut-off bars (number m_2), analysed according to the K -value theory. The reinforcement stress curves are calculated for a prism of the length $l = 100$ cm with equally spaced cracks, reinforcement percentage $\mu = 2,0\%$, $\varnothing 12$ mm, bars with $m_1 = m_2$ and a K -value 10^4 kg/cm². The upper curve represents the average stress in all bars; the "waves" are caused by the bond stress transfer to the concrete between the cracks (last two terms of Eq. (10)). The lower curves represent the stress transfer from the through bars (upper branch) to the cut-off bars (lower branch, first terms of Eq. (10)). The distance $f_{0.95}$ represents the length along which the stress transfer is carried through up to 95%.

can be calculated in exactly the same way as in the basic problem above and it will be found that the stress distribution between any two cracks can be written with an expression analogous to (4)

$$\sigma_c = \frac{\mu}{1 + n\mu} \frac{m_1}{m_1 + m_2} \sigma_r^0 \left[1 - \frac{\cosh \kappa \left(\frac{s}{2} - x' \right)}{\cosh \kappa \frac{s}{2}} \right], \quad (8)$$

where m_1 is the number of through bars and m_2 the number of cut-off bars, and x' is the distance from a crack position $s = 0$. The reinforcement stresses σ_{r1} and σ_{r2} respectively can be obtained from the two differential equations

$$\frac{d\sigma_{r1,2}}{dx^2} - \kappa^2 \sigma_{r1,2} = -\kappa_0^2 n \sigma_c, \quad (9)$$

where the notation

$$\kappa_0^2 = \frac{K}{E_r} \frac{4}{\Phi} \quad (9a)$$

is used and σ_c is inserted according to equation (8). The solutions can be written in the simple form

$$\sigma_{r1,2} = \Delta \sigma_{r1,2} + \frac{m_{1,2}}{m_1 + m_2} \sigma_r^0 - \frac{\sigma_c}{\mu}, \tag{10}$$

where $\Delta \sigma_{r1}$ and $\Delta \sigma_{r2}$ represent the stress change in the through and cut-off reinforcement bars respectively due to the stress transfer from the through bars to the cut-off bars. From the limit conditions on both sides of a crack we can find that these stress functions are entirely continuous through the crack and thus quite independant of the number or location of the cracks. If the entire length of the cut-off bars is fairly great, these stress functions can be written under the simplified form

$$\Delta \sigma_{r1} = \frac{m_1}{m_1 + m_2} \sigma_r^0 e^{-\kappa_0 x}; \quad \Delta \sigma_{r2} = -\frac{m_2}{m_1 + m_2} \sigma_r^0 e^{-\kappa_0 x}. \tag{11}$$

These results have been applied on a numerical example in fig. 3. The quantity (9a) indicates the rapidity of the stress transfer and the process of anchorage. Theoretically the anchorage can never reach 100%, but if we consider for instance an anchorage of 95% as in practical cases complete the necessary anchorage length $f_{0.95}$ can be calculated from equation (11) and will be

$$f_{0.95} = \frac{3,0}{\kappa_0}. \tag{12}$$

As pointed out in the introduction the relation (1) between bond stress and displacement is far from linear. It is possible to obtain an idea of the

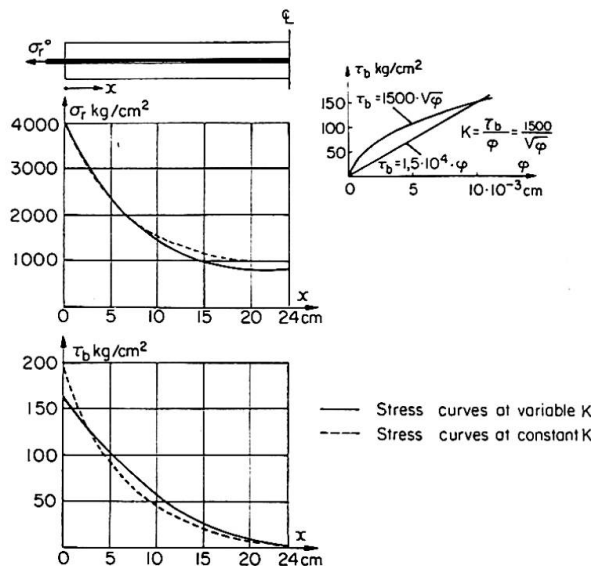


Fig. 4. Stress distribution in the reinforcement in the basic case according to Figure 2 calculated for a parabolic relation curve $\tau_b - \varphi$ with the aid of iterative difference calculus and compared with the stress curve valid for a constant K -value estimated from the τ_b and φ values in the prism end.

influence of this on the stress distribution with the aid of iterative difference calculus. For such a calculation, based on an arbitrary relation between τ_b and φ , the equations (2), (3) and (5) are re-written as

$$\frac{d\varphi}{dx} = \frac{1}{E_r} \sigma_r (1 + n\mu) - n\mu \sigma_r^0 \tag{13}$$

and applied together with the equation (4). As is obvious from the example illustrated in fig. 4 the influence of the non-linearity is, however, comparatively small.

3. Tests on Tensile Test Specimens

To verify these theoretical results tests have been made on test specimens which agree with the theoretical models discussed above. Test specimens were made as tensile forced prisms with through or end-anchored reinforcement as well as prisms such as the theoretical model in fig. 3 with cut-off reinforcement. In order to measure the stress distribution the cast-in bars were provided with slots all along the bar in which resistive strain gauges of very small dimensions were glued very close to each other. The test results are in fairly good agreement with the theoretical results. Fig. 5 gives an example of the test results and the corresponding theoretical curves for two of the specimens with cut-off bars.

Thus, the test results also show, that the simple assumption (1) of proportionality between bond stress and displacement could be used for a theoretical study of bond and anchorage problems.

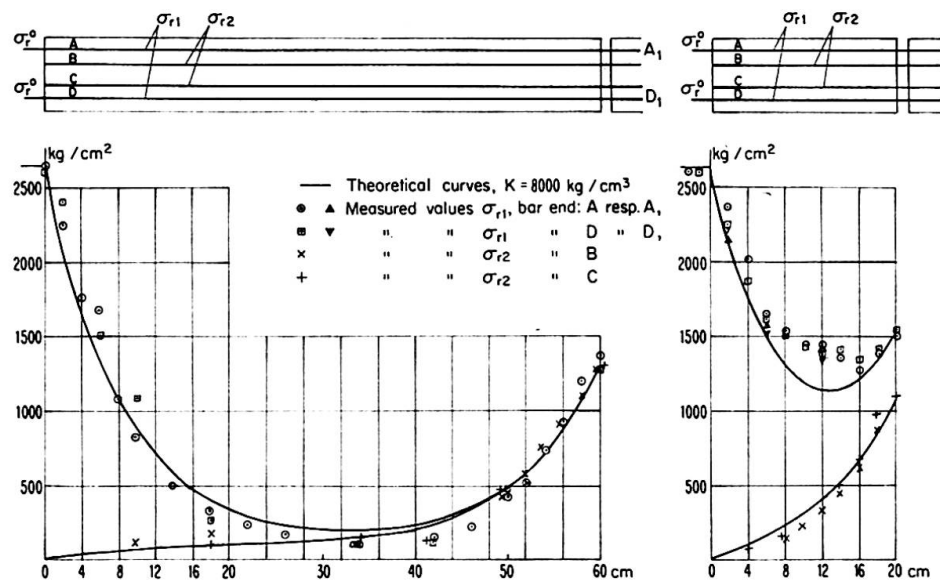


Fig. 5. Test results of stress measurements on two tensile prism specimens with through bars A and D and cut-off bars B and C. The prisms were provided with an artificial crack in the middle. For purposes of comparison the theoretical curves have been calculated for a constant $K = 8000 \text{ kg/cm}^2$ and are shown in the diagram.

4. Application to Beams

Finally, the results from pure tensile cases will be applied to the case of anchorage of cut-off reinforcement bars in beams. Theoretical considerations show that the same formula (11) for stress transfer between through and cut-off bars can be used, as shown in fig. 6. In the example given in that figure

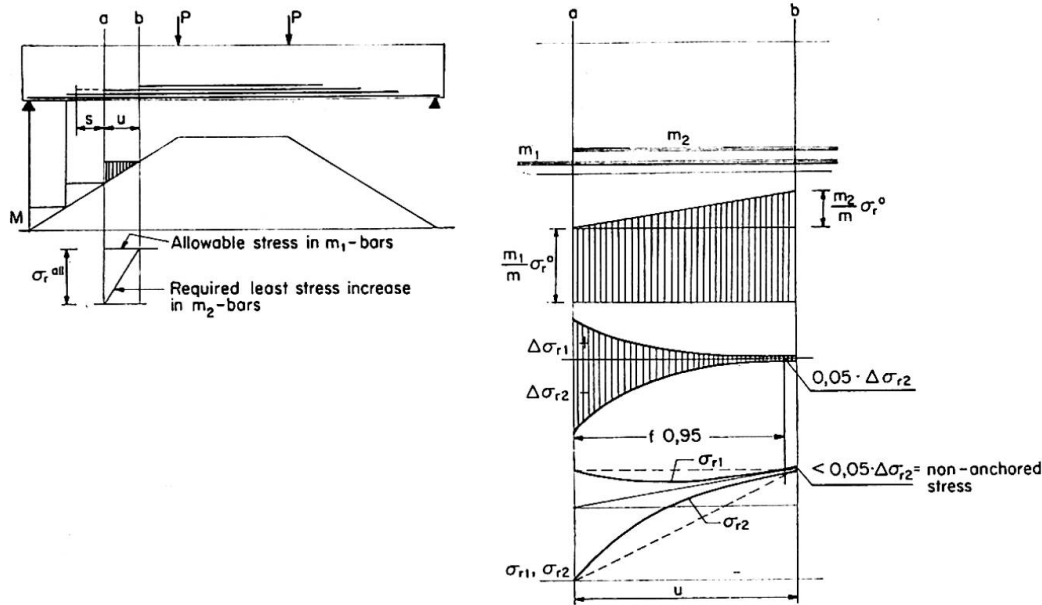


Fig. 6. Assumed stress transfer in beam reinforcement from through bars m_1 to bars m_2 cut off according to the moment curve. The stress variation caused by the bond stress transfer to the concrete between the cracks has not been considered, otherwise the stress curves in the detailed part of the figure agree with the ones shown in Figure 3.

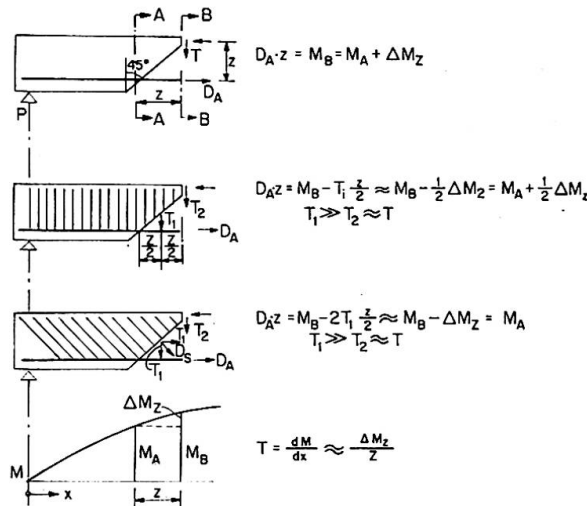
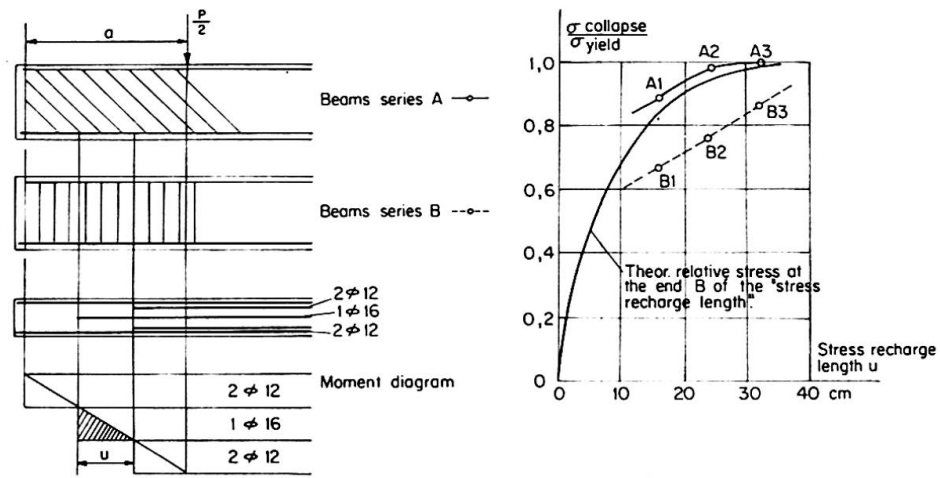


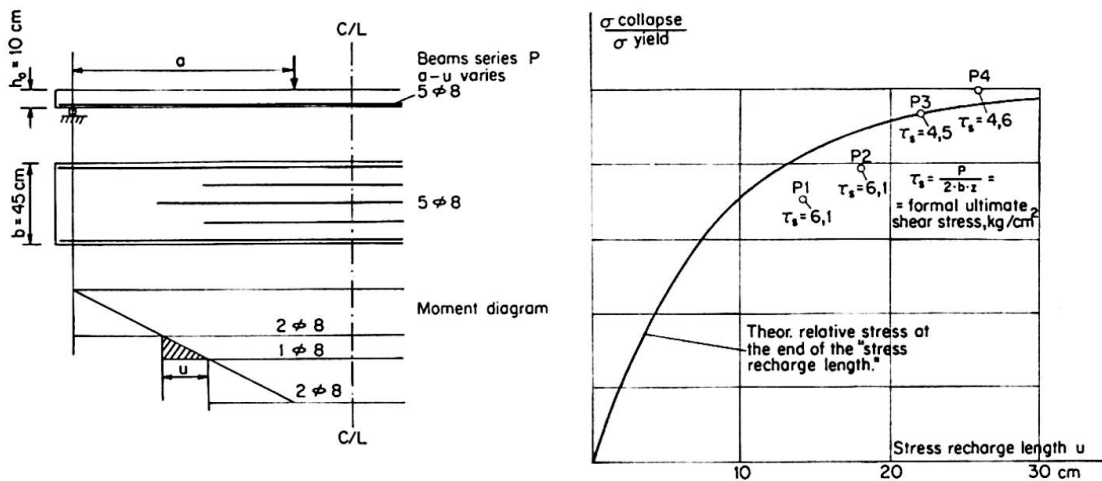
Fig. 7. The effect of the dislocation of the moment centre caused by inclined shear cracks, the "z effect". In a beam without web reinforcement the tension reinforcement force in the section A - A corresponds to the moment in section B - B, so the cut-off point must be dislocated the corresponding distance. In beams with stirrups this moment increase is less.

a cut-off bar which, in accordance with the moment distribution curve, begins to act at a cross-section a , need not have reached full stress before the cross-section b . In such cases the length $a - b$ may be used as "stress recharge length", u , which will give the cut-off bar full stress anchorage at point a , if the distance $a - b$ is long enough compared with the anchorage length f according to fig. 3. No anchorage whatsoever is then necessary outside the theoretical point a .

In judging this it is, however, necessary to observe the effect of the displacement of the moment centre in the beam due to the rise of diagonal shear tensile cracks illustrated in fig. 7. This so called z effect will give an increase of the necessary anchorage length of the same magnitude as the inner moment



a) Beams with vertical or diagonal stirrups.



b) Slab strips without shear reinforcement. The formal shear stress τ_s at collapse is shown underneath the result points.

Fig. 8. Stress in the beam reinforcement calculated from the collapse load in relation to the stress recharge length u and compared with the theoretical transferred stress at the inner end of the stress recharge length of a bar cut off directly according to the moment curve.

arm z . If the beam has web reinforcement of vertical stirrups, this effect will be reduced to about half, and if the web reinforcement is made of bent-up bars or inclined stirrups, the effect will be practically completely reduced.

These theoretical considerations are applied to results from test series of beams with diagonal and vertical stirrups as well as without web reinforcement. In all beams the reinforcement is cut off directly according to the moment curve. In fig. 8a the results from one series of beams with vertical stirrups and one series with diagonal stirrups have been assembled and the stresses in the reinforcement at collapse are compared with the theoretical stress at the inner end of the stress recharge length. The agreement seems to be satisfactory for the diagonally web reinforced beams, but for the beams with vertical stirrups it is obvious, quite in accordance with the theoretical considerations, that the z effect requires an extension of the anchorage length. Fig. 8b shows some of the results from tests on slab strips without web reinforcement. The slabs with the longest stress recharge length agree with the test results and the theoretical curve, but for the slabs with short stress recharge length the agreement is not so good, obviously due to the fact that in these cases with a shorter shear span the shear stresses are higher and produce inclined tensile cracks giving z effect.

References

1. HJ. GRANHOLM: Om sammansatta balkar och pelare med särskild hänsyn till spikade träkonstruktioner. (On Composite Beams and Columns with Special Reference to Nailed Wooden Constructions.) Chalmers University of Technology, Trans. No. 88, Gothenburg, Sweden 1949.
2. A. LOSBERG: Sprickbildning i kontinuerliga betongkonstruktioner, låsta mot rörelser av temperatur och krympning. (Crack Formation in Continuous Concrete Pavements, Prevented from Deformations Arising from Temperature and Shrinkage.) Chalmers University of Technology, Department of Structural Engineering, Duplicated Report, Gothenburg, Sweden, 1962.

Summary

This paper studies the anchorage of cut-off reinforcement bars and the stress transfer from cut-off to through bars in concrete prisms and beams with reinforcement of deformed bars. The theoretical treatment is based on the hypothesis that the bond stress is directly proportional to the displacement between steel and concrete. To verify the theory, tests on tensile specimens were made, in which the steel stress was carefully measured with strain gauges glued in slots along the bars. The results were applied to the beam case where the reinforcement is cut-off according to the moment curve, and the influence of shear crack and web reinforcement was also considered.

Résumé

Cette communication a pour objet l'étude de l'ancrage des armatures et de la transmission des contraintes des armatures interrompues à celles qui sont continues dans des poutres en béton et des poutres comportant des armatures à empreintes. L'analyse théorique procède de l'hypothèse selon laquelle la contrainte d'adhérence est directement proportionnelle au déplacement relatif de l'acier et du béton. On a éprouvé la validité de la théorie en soumettant des éprouvettes de traction à des essais qui ont permis, grâce à des jauges ohmiques collées dans des fentes le long des armatures, de mesurer avec précision les contraintes développées dans l'acier. Les résultats sont appliqués au cas d'une poutre comportant des armatures arrêtées conformément à la courbe des moments, avec prise en compte également des fissures par cisaillement et de l'armature de cisaillement.

Zusammenfassung

Dieser Beitrag untersucht das Verhalten von Verankerungen bei abgestuften Stahleinlagen und die Spannungsübertragung von abgestuften auf durchlaufende Stahleinlagen von mit Rippenstahl bewehrten Betonprismen und Betonträgern. Die theoretischen Untersuchungen fußten auf der Annahme direkter Proportionalität zwischen der Haftspannung und der relativen Verschiebung zwischen Stahlarmierung und Beton. Durch Versuche an Zugproben, wobei die Spannungen in der Armierung durch aufgeklebte Spannungsmesser sorgfältig ermittelt wurden, konnte die Richtigkeit dieser Annahme bestätigt werden. Die erhaltenen Ergebnisse wurden für den Biegeträger mit entsprechend dem Momentenverlauf abgestuften Stahleinlagen übertragen, wobei auch der Einfluß von Schubrisen und der Stegarmierung berücksichtigt wurde.

IV a 7

Premiers essais sur les aciers de couture

Vorversuche an Armierungsstößen mit Querbewehrung

Preliminary Tests on Transverse Ties

J. R. ROBINSON

Paris

Aux jonctions de barres droites par recouvrement et aux arrêts droits de barres dans les membrures tendues des poutres, s'effectuent des transferts d'efforts de barre à barre par l'intermédiaire du béton. Le transfert de l'effort d'un acier au béton par la mise en jeu de l'adhérence peut entraîner le fendage longitudinal de l'enrobage, c'est-à-dire de la gaine de béton qui entoure l'acier là où son épaisseur est minimale. Le transfert des efforts par le béton peut entraîner sa fissuration obliquement aux barres par développement de contraintes tangentes. Ces phénomènes sont particulièrement à redouter lorsqu'on emploie des barres à haute adhérence: les efforts de transfert ne se répartissent point uniformément sur les longueurs de recouvrement ou d'ancrage considérées dans le calcul, mais peuvent se concentrer d'une façon dangereuse en certaines zones. Si en une telle zone le béton se fend ou se fissure et s'il n'existe point d'aciers transversaux, les efforts de transfert peuvent s'y annuler. Les zones voisines sont alors surchargées et cèdent à leur tour, la propagation du phénomène conduisant à la ruine de la jonction ou de l'ancrage. S'il existe des aciers transversaux, convenablement disposés, ils s'opposent à l'annulation des efforts de transfert dans les zones fendues ou fissurées; les zones voisines sont alors moins surchargées et la propagation des désordres s'arrête à quelque distance, un état d'équilibre stable pouvant être atteint.

Ainsi la sécurité des jonctions et arrêts ou ancrages ne peut reposer sur le seul béton. Elle exige la présence d'aciers transversaux, dits «aciers de couture» et même par contraction du langage «coutures». Ces coutures ont deux rôles à jouer: s'opposer tout d'abord au fendage longitudinal de l'enrobage, d'où le nom de «coutures d'enrobage»; s'opposer ensuite à la séparation par écartement par l'effet de la fissuration oblique, des barres entre lesquelles s'effectue le transfert d'efforts, d'où le nom de «coutures d'attache». Les mêmes aciers transversaux jouent d'ailleurs à la fois les deux rôles, soit dans les mêmes parties, soit dans des parties différentes de leur tracé.

La fonction de couture d'enrobage échappe au calcul. Les coutures d'attache peuvent être calculées par une extension de la théorie du treillis de RITTER-MÖRSCH, en supposant que les fissures obliques inclinées à 45° sur les barres

en jonction découpent des bielles de béton susceptibles de transmettre exclusivement des efforts de compression.

On sait que, dans d'autres cas, la théorie du treillis peut se montrer trop conservatrice. En revanche, il n'est point établi que des coutures calculées dans leur fonction d'attache soient suffisantes dans leur rôle de couture d'enrobage, sans qu'il soit tenu compte des nombreux paramètres dont l'influence paraît devoir jouer: résistance du béton; positions relatives des barres en jonction; tracés ou formes, diamètres individuels ou espacements, nuances, caractères d'adhérence des aciers de couture. Seule l'expérimentation peut permettre d'y voir clair.

On aurait pu songer à opérer par essais de poutres soumises à la flexion. Mais la complexité des phénomènes de comportement des poutres vis-à-vis de l'effort tranchant aurait risqué de masquer les influences propres aux coutures. Il importait par ailleurs de réduire les frais de recherche. C'est pourquoi a été entrepris à l'I.R.A.B.A. (Institut de Recherches Appliquées du Béton Armé) un programme d'essais par traction.

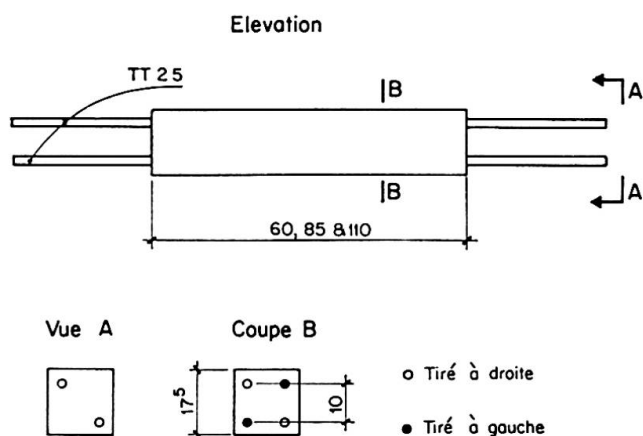


Fig. 1.

La première série d'essais, encore en cours, porte sur les prismes à section carrée armés aux angles de quatre aciers Tentor de 25 mm que définit la fig. 1 quant à leurs dimensions et à la disposition relative des barres longitudinales en jonction. La résistance du béton de ces prismes, mesurée sur cylindres, était de 300 kg/cm^2 .

Les armatures transversales ou coutures sont constituées de cadres en ronds lisses de nuance douce (fig. 2). Les diamètres de ces ronds et les espacements des cadres sont variables.

Pour le calcul de ces cadres en tant que coutures d'attache, il y a lieu de considérer un équilibre de treillis théorique dans chaque face (fig. 2; coupe schématique *D*). Cette hypothèse conduit à prendre en compte comme longueur de calcul de la jonction, la longueur de recouvrement mécanique ou longueur d'ancrage, l_a , différence entre la longueur de recouvrement géométrique, l , et la distance d'axe en axe, c , des barres (fig. 2; coupe schématique *C*). L'effort

maximal dont soit susceptible une barre longitudinale de section A et de limite d'élasticité σ_e est égal à $A \sigma_e$. La moitié de cet effort doit être transférée à chaque barre tirée en sens inverse. Dans chaque face du prisme, l'effort tangent maximal est ainsi par unité de longueur d'ancrage égal à $A \sigma_e / 2l_a$. L'effort transversal que peuvent équilibrer les coutures, constituées de ronds de section

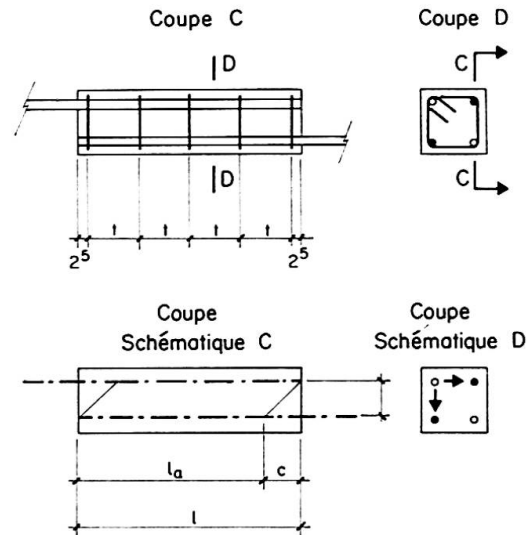


Fig. 2.

A_t et de limite d'élasticité σ_{el} , est égal par unité de longueur à $A_t \sigma_{el} / t$, t étant l'espacement des cadres. Du fait de l'inclinaison à 45° attribuée aux bielles de compression, l'effort transversal est égal à l'effort tangent. D'où l'équation qui définit la couture strictement suffisante, dite théorique

$$\frac{A \sigma_e}{2l_a} = \frac{A_t \sigma_{el}}{t}. \quad (1)$$

Nous appellerons couture à la fraction l/ν la couture définie par

$$\frac{l}{\nu} \frac{A \sigma_e}{2l_a} = \frac{A_t \sigma_{el}}{t}. \quad (2)$$

ν étant un nombre (supérieur à l'unité).

Les longueurs totales l de 60, 85 et 110 cm des éprouvettes ont été choisies pour correspondre à des longueurs d'ancrage, l_a , respectivement égales à 20, 30 et 40 diamètres des barres Tentor de 25 mm utilisées. Ont été explorées pour chaque longueur d'ancrage, les coutures au $1/2$, aux $3/8$, au $1/4$ et au $1/8$.

Eu égard à la nécessité d'employer un nombre entier de cadres, les fractions théoriques n'ont pu être exactement réalisées. Le tableau A donne la correspondance approchée entre fraction de couture d'une part, diamètres d'aciers de couture et nombre de cadres d'autre part pour les éprouvettes qui ont été effectivement soumises à l'essai dans chacune des trois longueurs retenues.

L'effort de traction appliqué aux barres en jonction a été en général limité à celui qui correspondait à leur limite d'élasticité garantie (4500 kg/cm²).

Tableau A. Nombre de cadres par éprouvette

		Fraction de couture théorique			
		$1/8$	$1/4$	$3/8$	$1/2$
Diamètre	10		2	3	4
des aciers	8		3	4	5
de couture	6	3	5		8
(mm)	5	3	6		12

Tableau B. Charges de rupture des éprouvettes de 40 diamètres en contrainte (kg/cm^2) des barres en jonction

		Fraction de couture théorique			
		$1/8$	$1/4$	$3/8$	$1/2$
Diamètre	10		4500	4400	> 4500
des aciers	8		4500	> 4500	> 4500
de couture	6	4100	> 4500		> 4500
(mm)	5	4500	> 4500		> 4500

Tableau C. Charges de rupture des éprouvettes de 30 diamètres en contrainte (kg/cm^2) des barres en jonction

		Fraction de couture théorique			
		$1/8$	$1/4$	$3/8$	$1/2$
Diamètre	10		3800	4100	> 4500
des aciers	8		3900	4300	> 4500
de couture	6	3400	> 4500		> 4500
(mm)	5	3500	> 4500		> 4500

Tableau D. Charges de rupture des éprouvettes de 20 diamètres en contrainte (kg/cm^2) des barres en jonction

		Fraction de couture théorique			
		$1/8$	$1/4$	$3/8$	$1/2$
Diamètre	10		3000	3200	> 4500
des aciers	8		3000	3200	> 4500
de couture	6	2900	3800		> 4500
(mm)	5	2900	3800		> 4500

Les charges de rupture, exprimées en contrainte (kg/cm^2) des barres en jonction, figurent respectivement aux tableaux B, C et D pour les éprouvettes dont les recouvrements mécaniques sont de 40, 30 et 20 diamètres.

La couture au $1/2$ s'est avérée toujours suffisante. L'efficacité de la couture croît avec la longueur de recouvrement et décroît lorsque le diamètre de l'acier de couture augmente (c'est-à-dire, à section égale de coutures, lorsque le nombre de ces dernières diminue).

Les ruptures ont toujours eu un caractère fragile: la charge ultime atteinte, l'effort décroît brusquement si la déformation augmente. Elles se produisent par éclatement du béton sur une arête au moins, qui dénude la ou les barres intéressées (fig. 3).

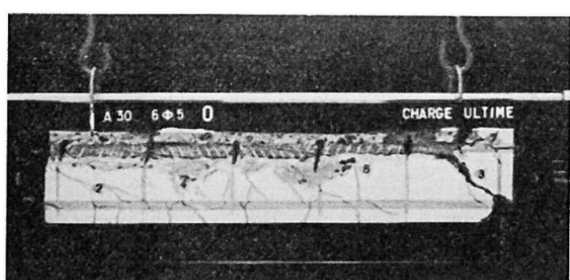


Fig. 3. Rupture de l'éprouvette de 30 diamètres, cousue de 6 cadres de 5 mm (couture au $1/4$), sous effort supérieur à $4500 \text{ kg}/\text{cm}^2$.

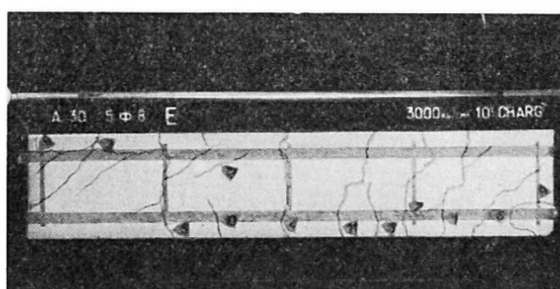


Fig. 4. Fissuration de l'éprouvette de 30 diamètres, cousue de 5 cadres de 8 mm (couture au $1/2$), sous charge de service ($3000 \text{ kg}/\text{cm}^2$).

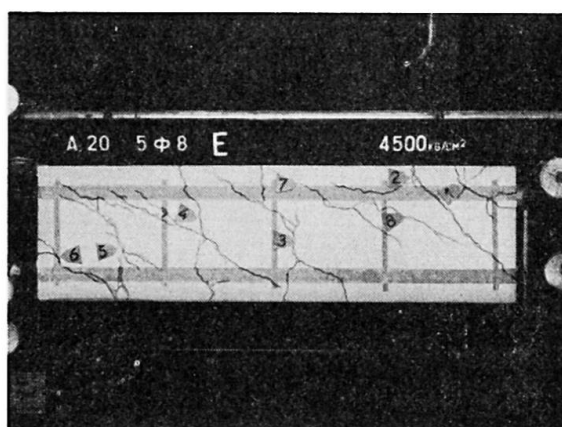


Fig. 5. Fissuration de l'éprouvette de 20 diamètres, cousue de 5 cadres de 8 mm (couture au $1/2$), sous charge maximale théorique ($4500 \text{ kg}/\text{cm}^2$).

Pour les éprouvettes à couture suffisante, la fissuration sous charge de service ($3000 \text{ kg}/\text{cm}^2$), semblable sur les quatre faces, offre des zones à fissures inclinées sensiblement à 45° aux extrémités et une zone centrale à fissures normales à l'axe (fig. 4). Pour les mêmes éprouvettes, la fissuration à 45° tend à s'étendre sous la charge maximale théorique de $4500 \text{ kg}/\text{cm}^2$, et même à gagner la totalité de l'étendue des faces pour les éprouvettes les plus courtes (fig. 5).

Résumé

Les aciers transversaux de couture sont nécessaires à la sécurité des jonctions de barres par adhérence. Leur efficacité théorique doit être contrôlée par essais systématiques. Il est rendu compte d'une première série d'essais, effectués par traction.

Zusammenfassung

Bei Armierungsstößen, die nur durch Haftung zusammenwirken, sind Querbewehrungen anzuordnen, damit die erforderliche Sicherheit gewährleistet wird. Die theoretische Wirksamkeit dieser Querbewehrung muß durch systematische Versuche kontrolliert werden. Zu diesem Zweck wurden Vorversuche an zugbeanspruchten Elementen durchgeführt.

Summary

Transverse ties are required for the safety of joints made by the bonding of overlapping bars. Their theoretical efficiency has to be checked by extensive tests. A first series of tests, undertaken by traction, is reported.